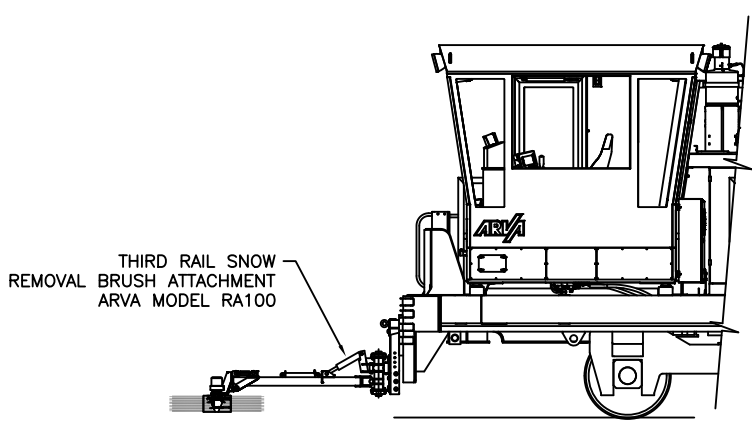
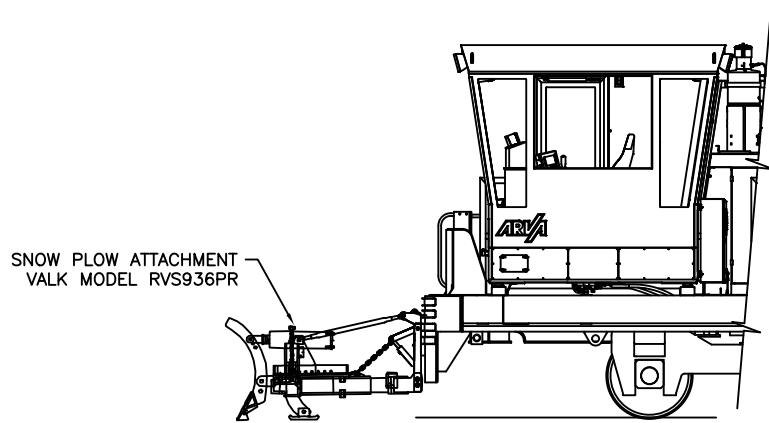
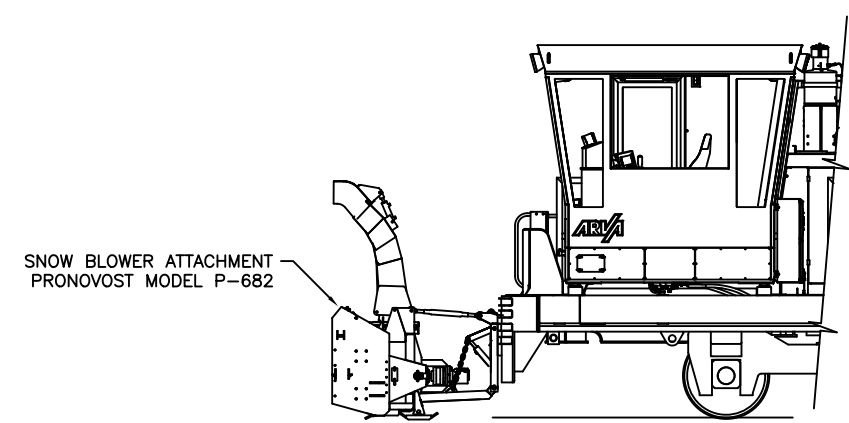
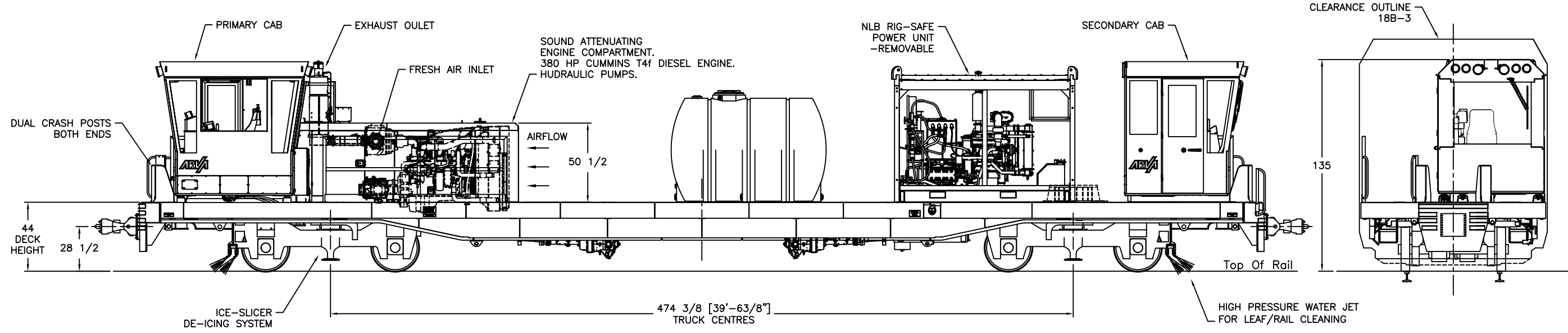
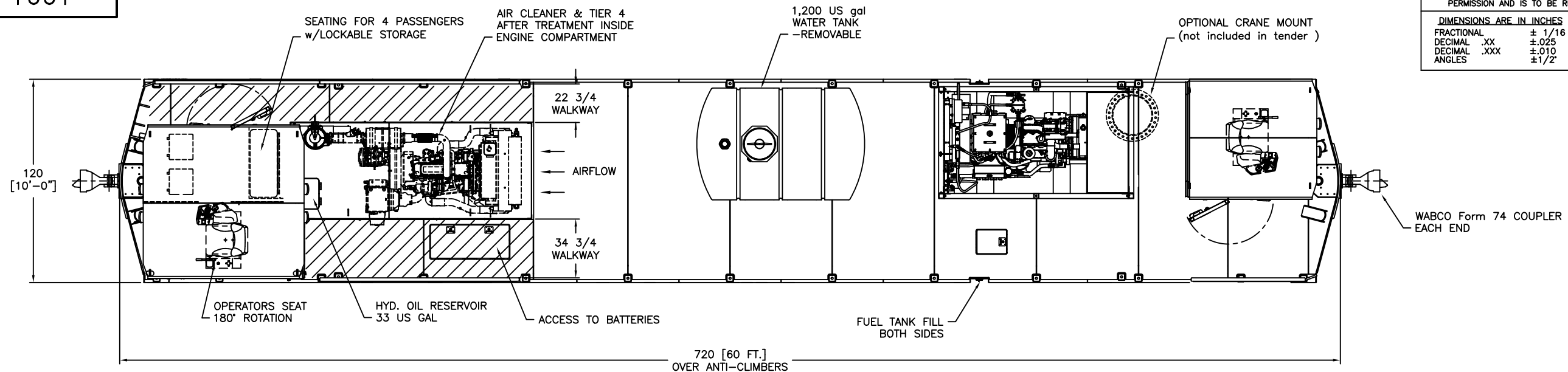


EP1661

THIS PRINT AND DESIGN IS THE PROPERTY OF ARVA INDUSTRIES IS CONFIDENTIAL AND IS NOT TO BE REPRODUCED WITHOUT OUR PERMISSION AND IS TO BE RETURNED UPON REQUEST

DIMENSIONS ARE IN INCHES	
FRACTIONAL	± 1/16
DECIMAL .XX	± 0.025
DECIMAL .XXX	± 0.010
ANGLES	± 1/2°



<b>ARVA</b> ARVA INDUSTRIES INC. 43 GAYLORD ROAD ST THOMAS ONT. CAN. N5P 3R9		
TITLE HYDROSTATIC TRACK UTILITY VEHICLE for SNOW and LEAF REMOVAL		
DWN BY	DATE:	
CHK'D BY	DATE:	
ASSY DWG	WEIGHT	
SIMILAR TO	SHEET 1 OF 1	
SCALE	DWG NO	REV
1:65	EP1661	-