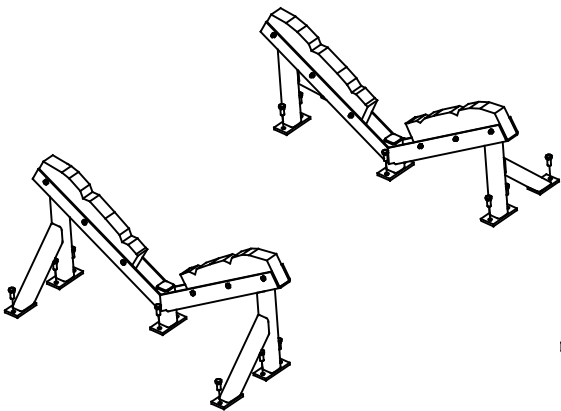
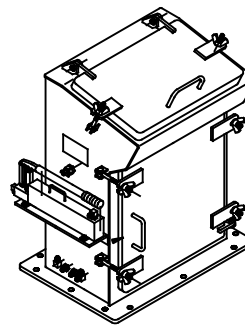
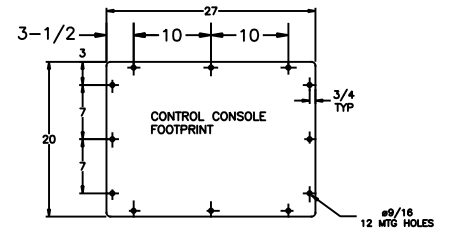
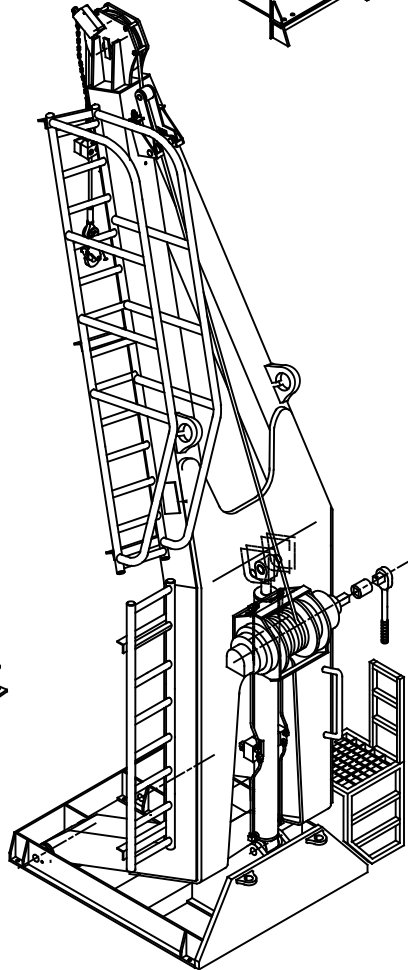
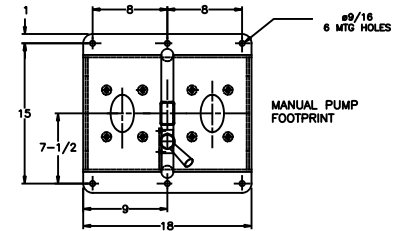
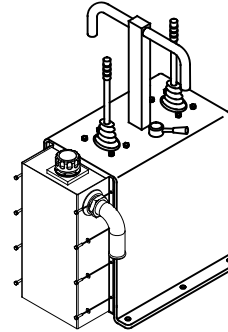
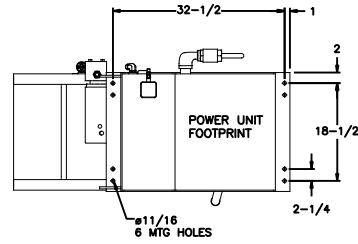
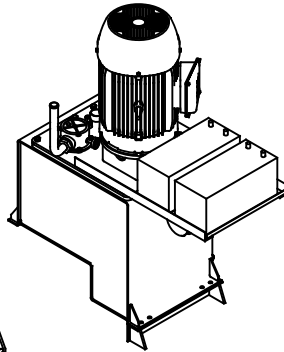
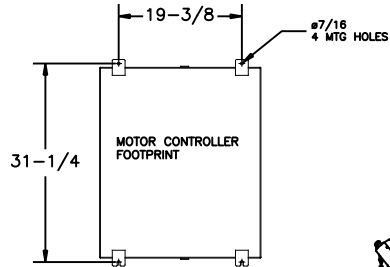
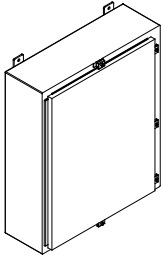


A171661



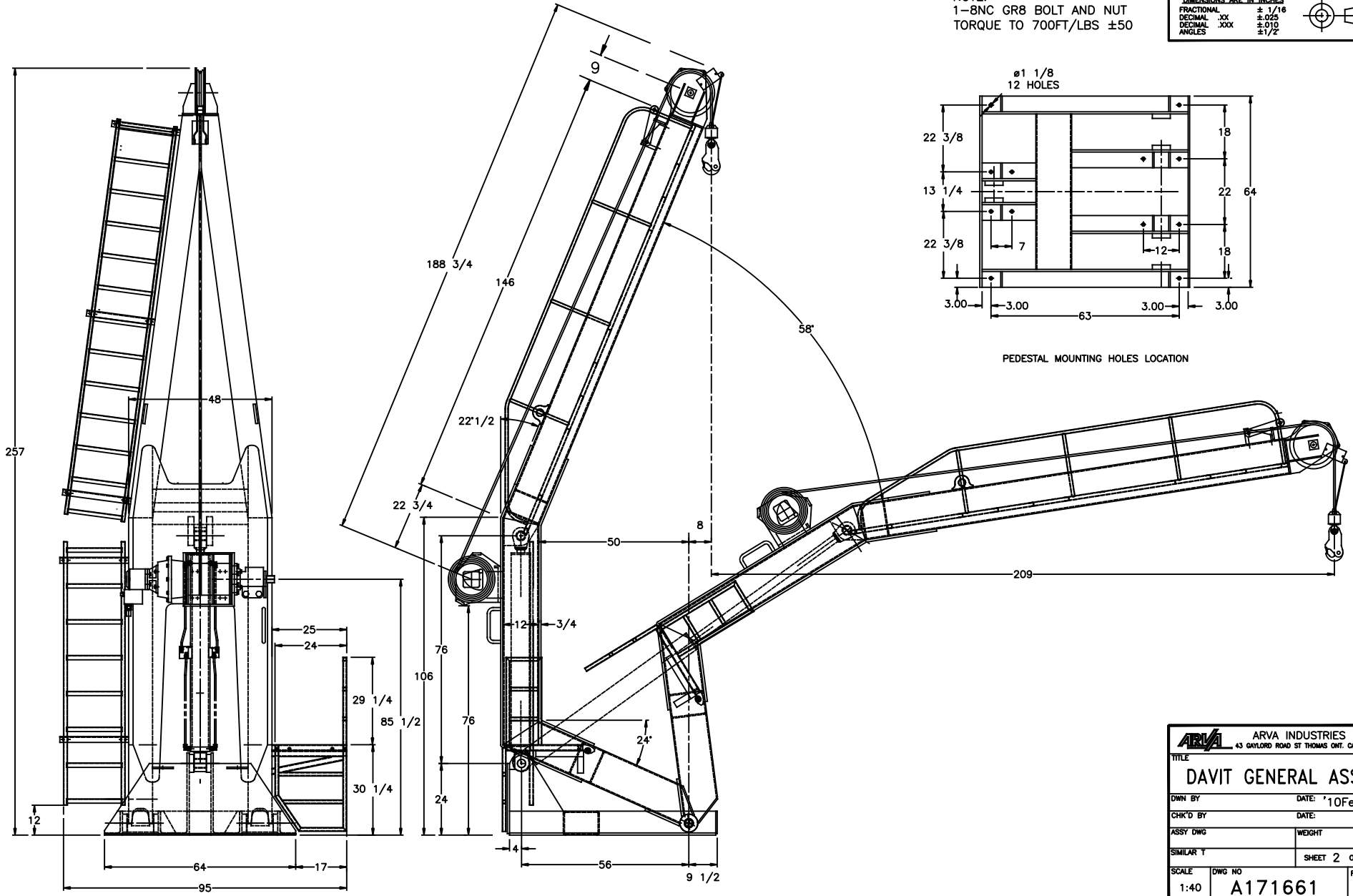
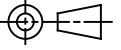
ARVA INDUSTRIES INC. 43 GAYLORD ROAD ST THOMAS ONT. CAN. N5P 3P9	
TITLE	
DAVIT GENERAL ASS'Y	
DWN BY	DATE: '10Feb16
CHK'D BY	DATE:
ASSY DWG	WEIGHT
SIMILAR TO	SHEET 1 OF 2
SCALE	DWG NO
1:40	A171661
REV	-

A171661

THIS PRINT AND DESIGN IS THE PROPERTY OF ARVA INDUSTRIES IS CONFIDENTIAL AND IS NOT TO BE REPRODUCED WITHOUT OUR PERMISSION AND IS TO BE RETURNED UPON REQUEST

NOTE:
1-BNC GR8 BOLT AND NUT
TORQUE TO 700FT/LBS ±50

DIMENSIONS ARE IN INCHES
FRACTIONAL ± 1/16
DECIMAL .XX ± 0.025
DECIMAL .XXX ± 0.010
ANGLES ± 1/2°



ARVA ARVA INDUSTRIES INC. 43 GAYLORD ROAD ST THOMAS ONT. CAN. N5P 3R9	
TITLE DAVIT GENERAL ASS'Y	
DWN BY	DATE: '10Feb16
CHK'D BY	DATE:
ASSY DWG	WEIGHT
SIMILAR T	SHEET 2 OF 2
SCALE 1:40	DWG NO A171661
	REV -

