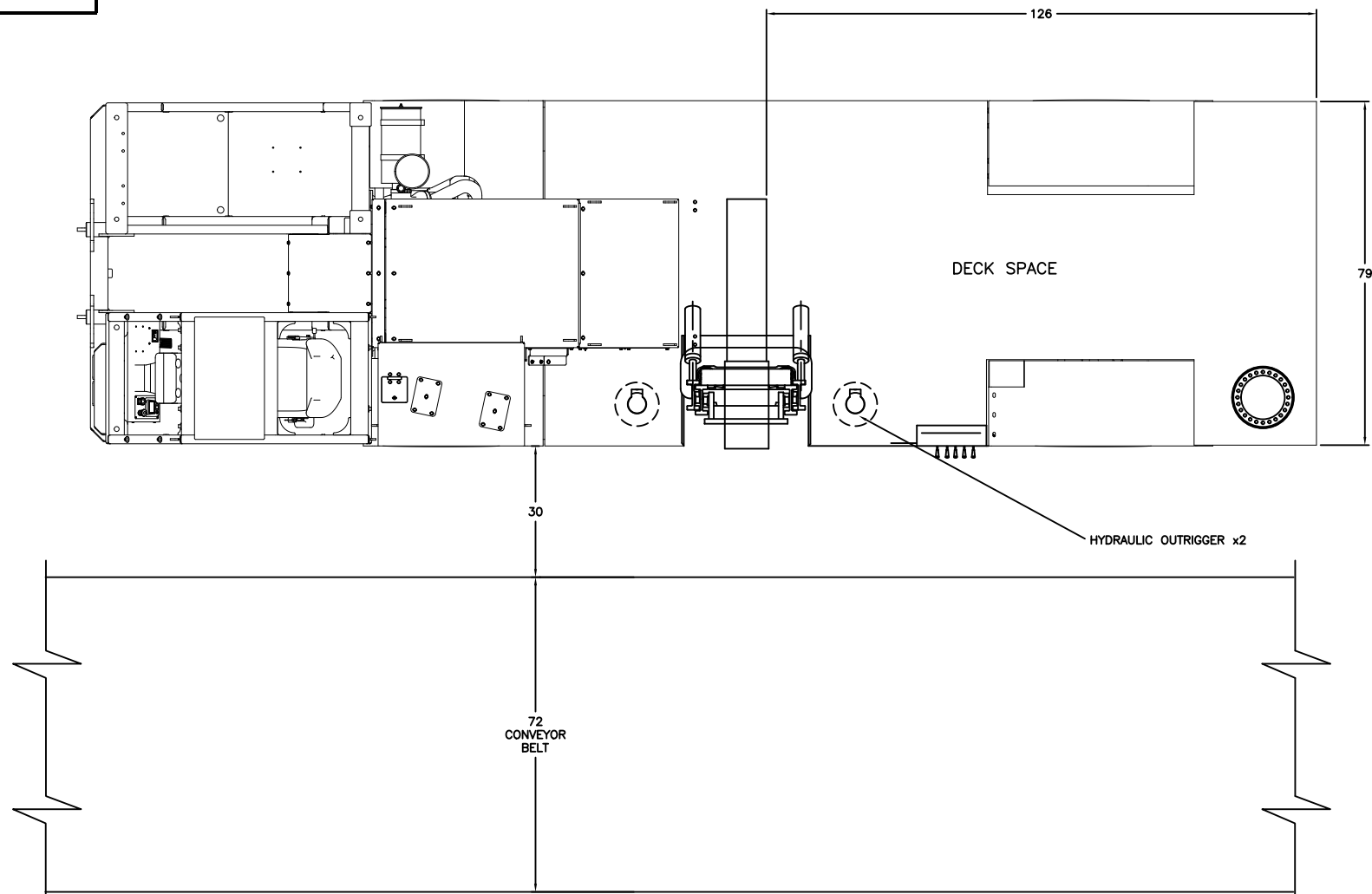


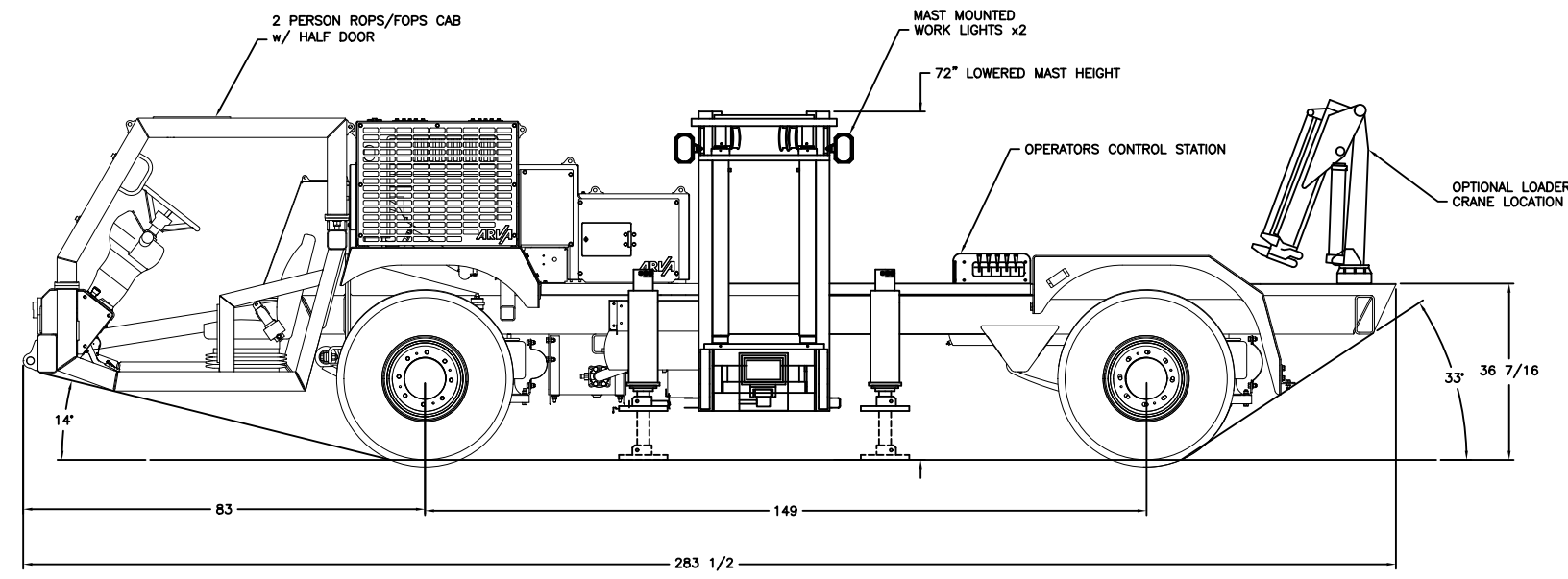
EP1631

THIS PRINT AND DESIGN IS THE PROPERTY OF ARVA INDUSTRIES IS CONFIDENTIAL AND IS NOT TO BE REPRODUCED WITHOUT OUR PERMISSION AND IS TO BE RETURNED UPON REQUEST

DIMENSIONS ARE IN INCHES	
FRACTIONAL	± 1/16
DECIMAL .XX	± .025
DECIMAL .XXX	± .010
ANGLES	± 1/2°



- Engine: Cummins QSB 3.3, 85 Hp.  
Water cooled, electronic control.
- Transmission: DANA T12000  
6 forward speeds, 3 reverse speeds with neutral safety switch.
- Axes: ITL steer drive axles front/rear.  
Internal hydraulically operated wet disk service brakes.  
Spring applied hydraulically released drive line parking brake.
- Suspension: Air bag with ± 3" travel.
- Steering: Selectable 2 wheel, 4 wheel, 4 wheel coordinated
- Drive: 4 wheel drive up to 20 kph
- Tires: Maxxis Tuff-Guard, 10.00-15
- Travel Speed: 40 kph. Max.
- Hydraulics: Variable displacement pump,  
15 GPM available for optional equipment  
JIC hydraulic hoses and fittings
- Electrical: 12 Volt DC. LED lights, Halogen headlights
- Cab: One or Two person operator compartment.  
Air suspension seat  
Half door
- Safety: ROPS/FOPS Canopy Frame.
- Deck Capacity: 12,000 lbs.
- Capacities: 132 L fuel tank, 57 L hyd. tank.
- Probe Specs:
  - 2,500 lbs Capacity at 60" Load Centre
  - Carriage has hydraulic lift with Spring Applied Hydraulically released safety dog.
  - Lift probe equipped with 3 section hydraulically powered extension.
  - Two stage mast with 83" Travel and ±10° tilt
  - Manual swing for storage

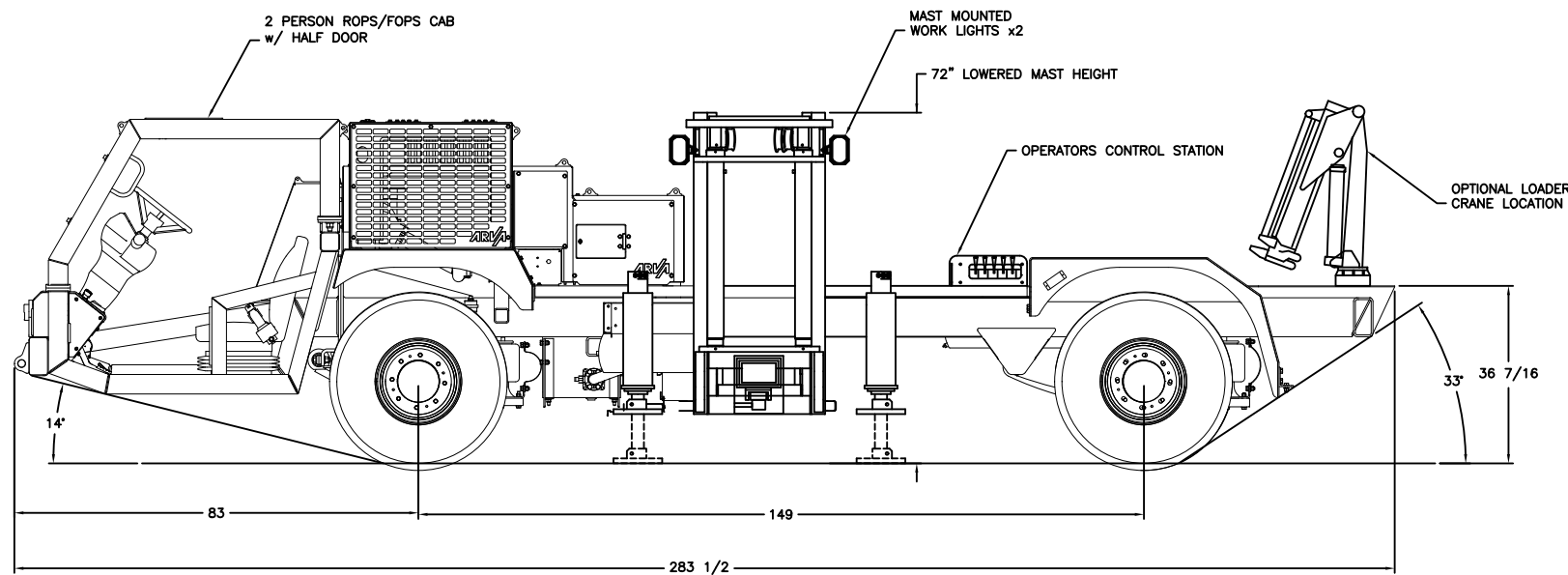
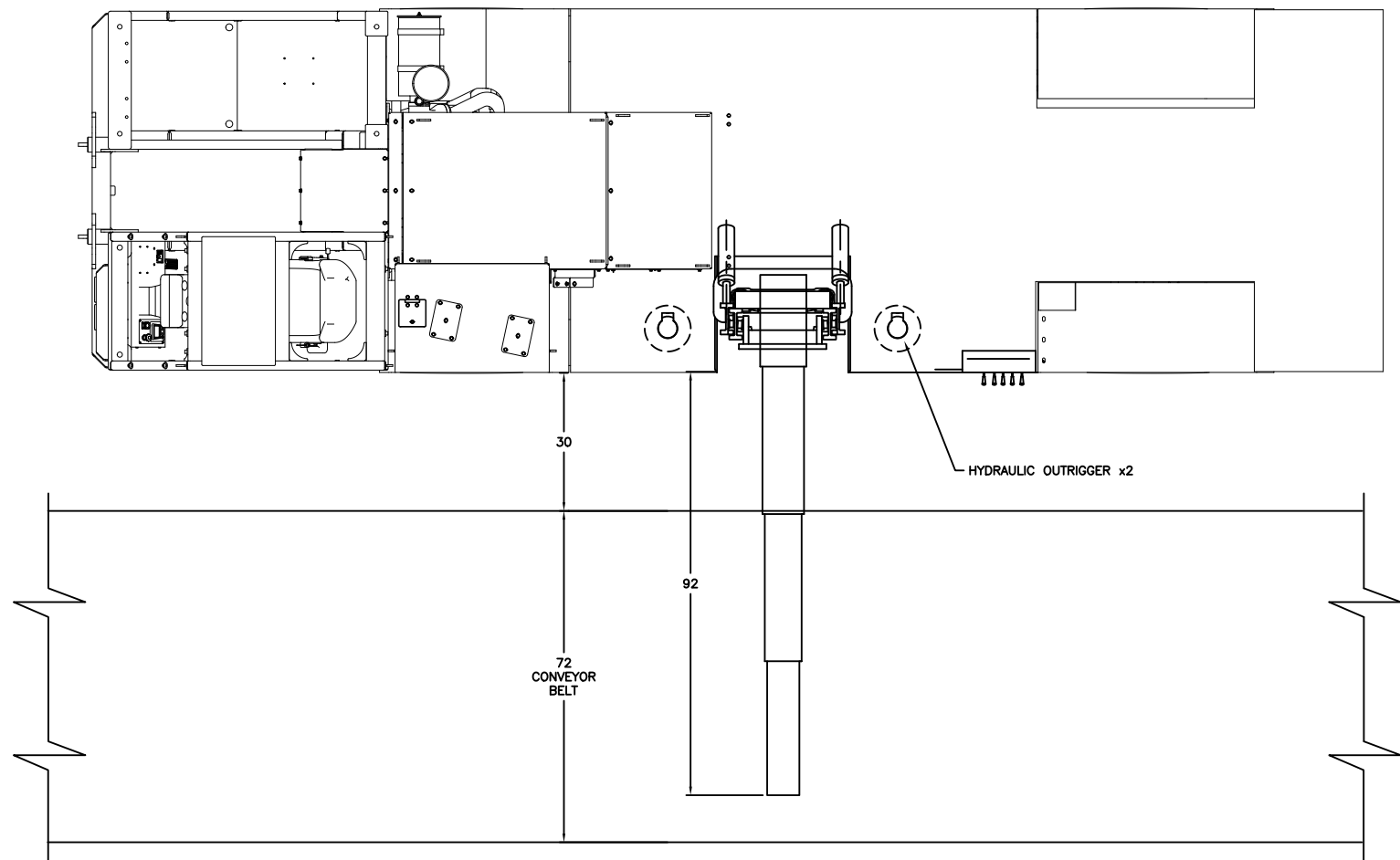
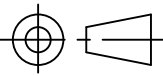


NOTE:  
SUSPENSION SHOW AT RIDE HEIGHT  
± 3 " AIR SUSPENSION

ARVA INDUSTRIES INC. 43 GAYLORD ROAD ST THOMAS ONT. CAN. N5P 3R9		
TITLE SV12140 SERVICE TRUCK for BELT ROLLER MAINTENANCE		
DWN BY	DATE: '13Aug08	
CHK'D BY	DATE:	
ASSY DWG	WEIGHT	
SIMILAR TO	SHEET 1 OF 5	
SCALE 1:37	DWG NO EP1631	REV C

DIMENSIONS ARE IN INCHES

FRACTIONAL	± 1/16
DECIMAL .XX	±.025
DECIMAL .XXX	±.010
ANGLES	±1/2°



Engine: Cummins QSB 3.3, 85 Hp.  
 Water cooled, electronic control.  
 Transmission: DANA T12000  
 6 forward speeds, 3 reverse speeds with neutral safety switch.  
 Axles: ITL steer drive axles front/rear.  
 Internal hydraulically operated wet disk service brakes.  
 Spring applied hydraulically released drive line parking brake.  
 Suspension: Air bag with ± 3" travel.  
 Steering: Selectable 2 wheel, 4 wheel, 4 wheel coordinated  
 Drive: 4 wheel drive up to 20 kph  
 Tires: Maxxis Tuff-Guard, 10.00-15  
 Travel Speed: 40 kph. Max.  
 Hydraulics: Variable displacement pump, 15 GPM available for optional equipment  
 JIC hydraulic hoses and fittings  
 Electrical: 12 Volt DC. LED lights, Halogen headlights  
 Cab: One or Two person operator compartment.  
 Air suspension seat  
 Half door  
 Safety: ROPS/FOPS Canopy Frame.  
 Deck Capacity: 12,000 lbs.  
 Capacities: 132 L fuel tank, 57 L hyd. tank.  
 Probe Specs:  
 -2,500 lbs Capacity at 60" Load Centre  
 -Carriage has hydraulic lift with Spring Applied Hydraulically released safety dog.  
 -Lift probe equipped with 3 section hydraulically powered extension.  
 -Two stage mast with 83" Travel and ±10° tilt  
 -Manual swing for storage

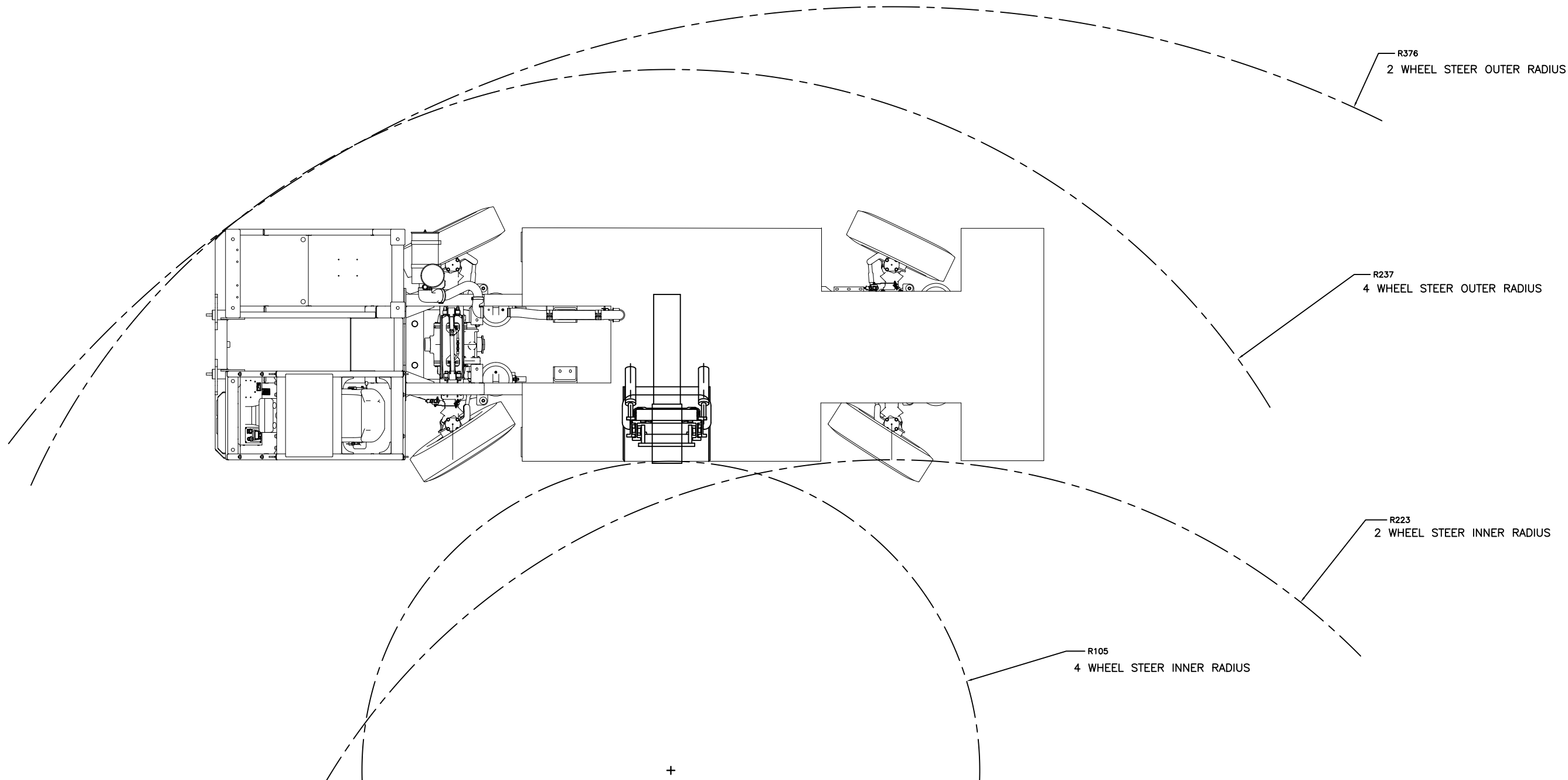
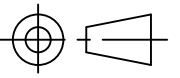
NOTE:  
 SUSPENSION SHOW AT RIDE HEIGHT  
 ± 3 " AIR SUSPENSION

ARVA INDUSTRIES INC. 43 GAYLORD ROAD ST THOMAS ONT. CAN. N5P 3R9		
TITLE		
SV12140 SERVICE TRUCK for BELT ROLLER MAINTENANCE		
DWN BY	DATE: '13Aug08	
CHK'D BY	DATE:	
ASSY DWG	WEIGHT	
SIMILAR TO	SHEET 2 OF 5	
SCALE	DWG NO	REV
1:37	EP1631	C

EP1631

THIS PRINT AND DESIGN IS THE PROPERTY OF ARVA INDUSTRIES  
IS CONFIDENTIAL AND IS NOT TO BE REPRODUCED WITHOUT OUR  
PERMISSION AND IS TO BE RETURNED UPON REQUEST

DIMENSIONS ARE IN INCHES  
FRACTIONAL ± 1/16  
DECIMAL .XX ± .025  
DECIMAL .XXX ± .010  
ANGLES ± 1/2°




R376  
2 WHEEL STEER OUTER RADIUS

R237  
4 WHEEL STEER OUTER RADIUS

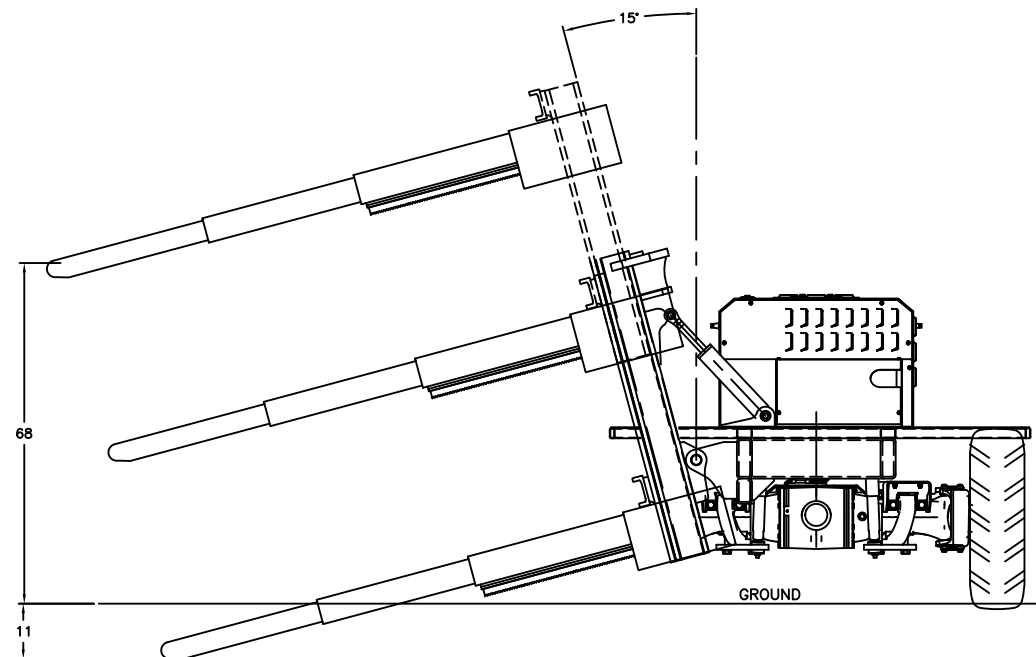
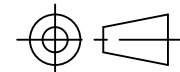
R223  
2 WHEEL STEER INNER RADIUS

R105  
4 WHEEL STEER INNER RADIUS

 ARVA INDUSTRIES INC. 43 GAYLORD ROAD ST THOMAS ONT. CAN. N5P 3R9		
TITLE SV12140 SERVICE TRUCK for BELT ROLLER MAINTENANCE		
DWN BY	DATE: '13Aug08	
CHK'D BY	DATE:	
ASSY DWG	WEIGHT	
SIMILAR TO	SHEET 3 OF 5	
SCALE 1:37	DWG NO EP1631	REV C

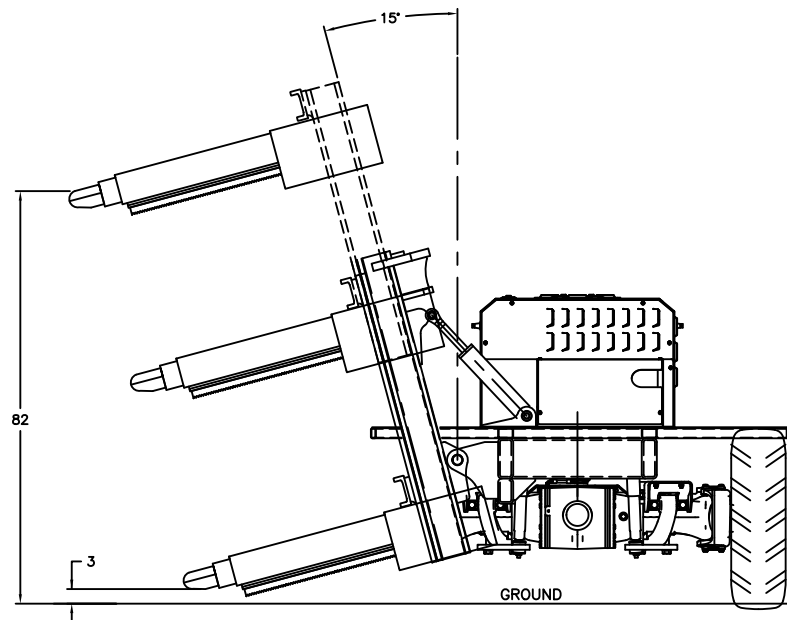
DIMENSIONS ARE IN INCHES

FRACTIONAL	± 1/16
DECIMAL .XX	± .025
DECIMAL .XXX	± .010
ANGLES	± 1/2°



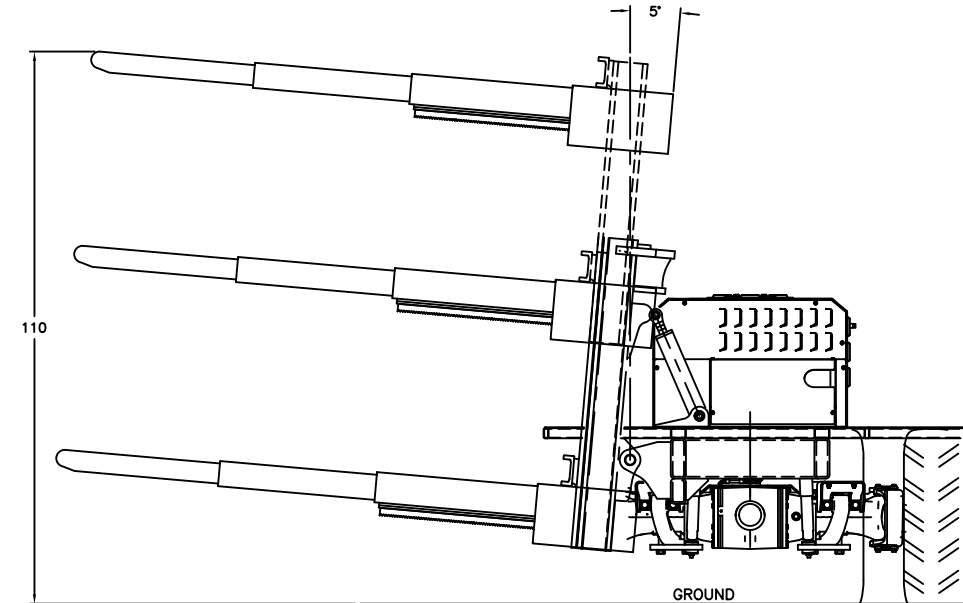
MAST SHOWN IN 15° FORWARD POSITION, PROBE EXTENDED

NOTE:  
SUSPENSION SHOW AT RIDE HEIGHT  
± 3" AIR SUSPENSION



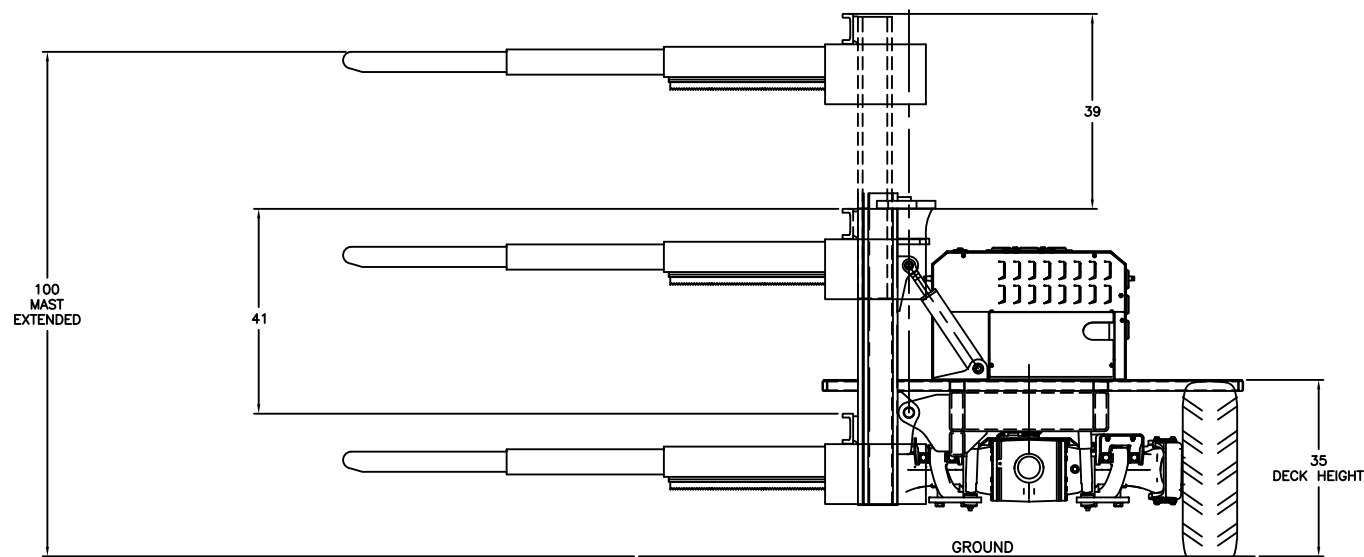
MAST SHOWN IN 15° FORWARD POSITION, PROBE FLY AND OUTER MID SECTION ARE RETRACTED

NOTE:  
SUSPENSION SHOW AT RIDE HEIGHT  
± 3" AIR SUSPENSION



MAST SHOWN IN 5° REARWARD POSITION, PROBE EXTENDED

NOTE:  
SUSPENSION SHOW AT RIDE HEIGHT  
± 3" AIR SUSPENSION



MAST SHOWN IN VERTICAL POSITION, PROBE EXTENDED

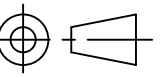
NOTE:  
SUSPENSION SHOW AT RIDE HEIGHT  
± 3" AIR SUSPENSION

<b>ARVA</b> ARVA INDUSTRIES INC. 43 GAYLORD ROAD ST THOMAS ONT. CAN. N5P 3R9	
TITLE SV12000 SERVICE TRUCK for BELT ROLLER MAINTENANCE	
DWN BY I	DATE: '13Aug08
CHK'D BY	ATE:
ASSY DWG	WEIGHT
SIMILAR TO	SHEET 4 OF 5
SCALE 1:37	DWG NO EP1631
	REV C

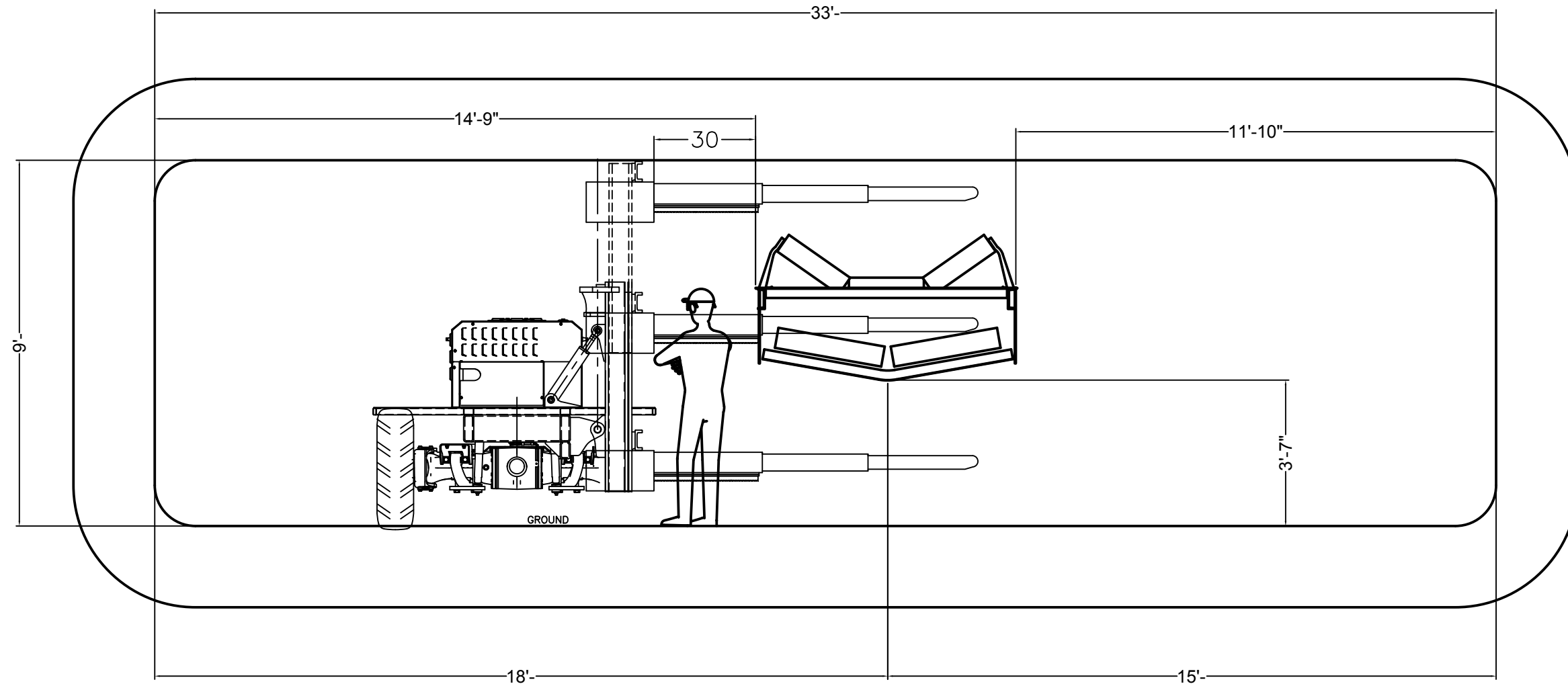
EP1631

THIS PRINT AND DESIGN IS THE PROPERTY OF ARVA INDUSTRIES  
IS CONFIDENTIAL AND IS NOT TO BE REPRODUCED WITHOUT OUR  
PERMISSION AND IS TO BE RETURNED UPON REQUEST

DIMENSIONS ARE IN INCHES  
FRACTIONAL ± 1/16  
DECIMAL .XX ± .025  
DECIMAL .XXX ± .010  
ANGLES ± 1/2°



Dwg No.



**ARVA** ARVA INDUSTRIES INC.  
43 GAYLORD ROAD ST THOMAS ONT. CAN. N5P 3R9

TITLE  
SV12000 SERVICE TRUCK  
for BELT ROLLER MAINTENANCE

DWN BY: DATE: '13Aug08

CHK'D: DATE:

ASSY DW: WEIGHT

SIMILAR TO: SHEET 5 OF 5

SCALE 1:37	DWG NO EP1631	REV C
---------------	------------------	----------