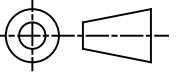
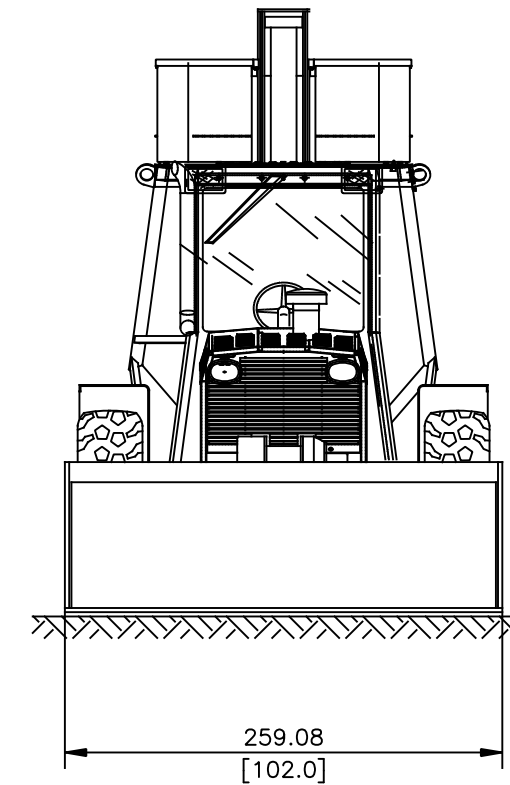
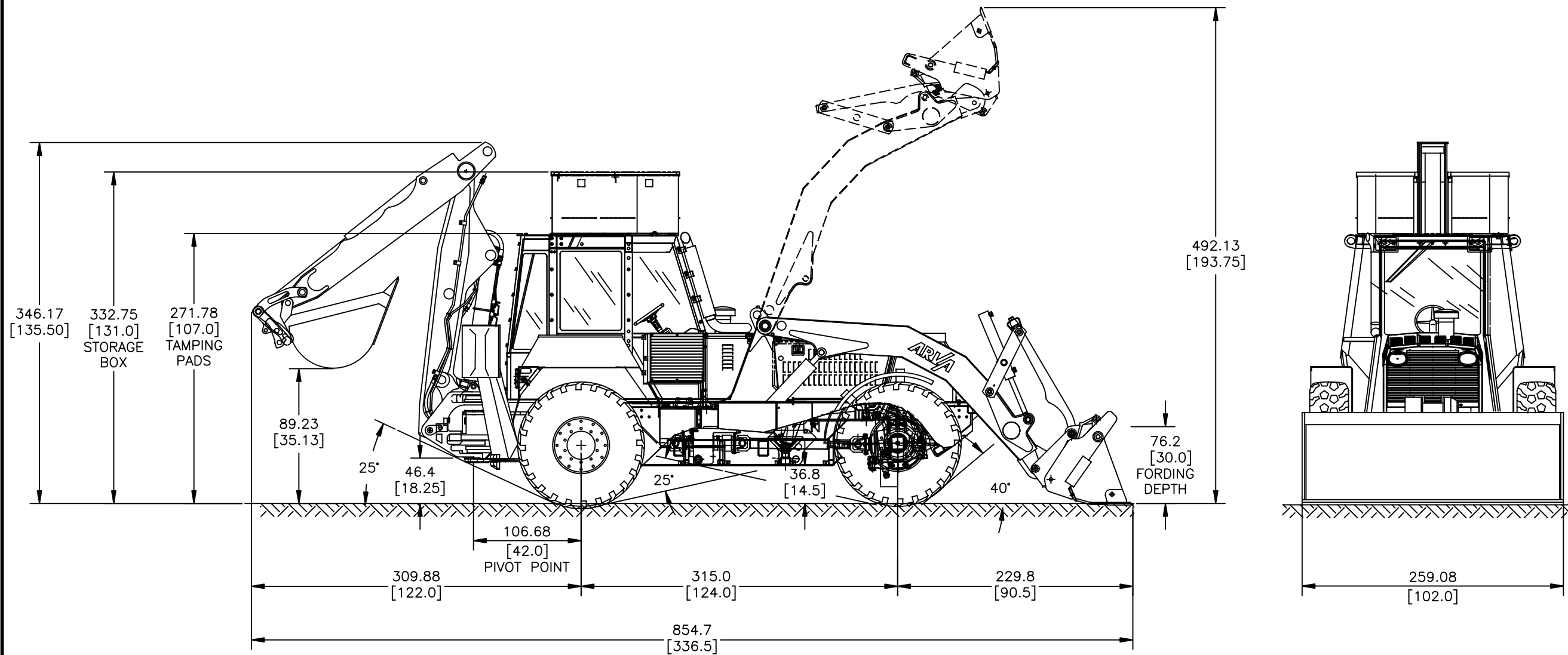


DIMENSIONS ARE IN INCHES

FRACTIONAL	± 1/16
DECIMAL .XX	±.025
DECIMAL .XXX	±.010
ANGLES	±1/2°



***Maximum Speed: 110 km/h**



ARVA ARVA INDUSTRIES INC. 43 GAYLORD ROAD ST THOMAS ONT. CAN. N5P 3R9	
TITLE MPEV-GENERAL ASSEMBLY	
DWN BY J.T.	DATE:
CHK'D BY GF	DATE:
ASSY DWG	WEIGHT
SIMILAR TO A166115	SHEET 1 OF 1
SCALE 1:46	DWG NO A190000
	REV