

MC500 SPECIFICATIONS

CAPACITY: 50,000 lbs. @ 10 ft. radius. 30,000 lbs. @16 ft. radius.

BOOM: 3 Section, 12'-7" Retracted, 26'-7" Extended. -3 to +60 degrees luffing

RIGGING: 25 ton hook block and 11 ton overhaul ball.

OUTRIGGERS: Four single stage out and down style with protected rod vertical jack cylinders.

ENGINE: Cummins QSB 4.5C. 160 hp, Tier 3 Canmet #1198.

TRANSMISSION: Dana T20000 Power Shift, 3 forward and 3 reverse speeds, electric shift

FRONT AXLE: Dana 213, pad mount, limited slip with internal wet disc service and SAHR parking brakes.

REAR AXLE: Dana 213, trunnion mount, standard with internal wet disc service and SAHR parking brakes.

STEERING: Selectable two wheel (front), four wheel coordinated or four wheel crab.

DRIVE: Full time four wheel.

TIRES: 42x13x20 Maxxis TuffGuard with soft core.

TRAVEL SPEED: 13 mph (22 k/hr)

HYDRAULICS: Two pumps (36.3 gpm and 13.3 gpm) torque converter driven. JIC fittings and hoses. 45 gal. reservoir.

ELECTRICAL: 12 VDC, main disconnect, 95 amp alternator, special connector coating.

Driving, boom and beacon lights

CAB: Single person, air suspension seat, infinitely variable hyd. pilot operated controls, simultaneous operations of crane functions. Murphy engine monitor system.

SAFETY: ROPS and FOPS canopy frame, Ansul fire suppression system, Load Moment Indicator system.

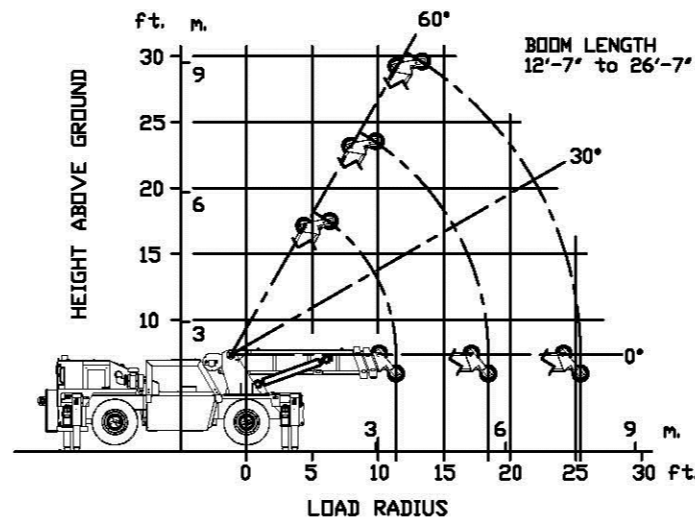
GENERAL DIMENSIONS:

HEIGHT: 87 in.

WIDTH: 96 in.

LENGTH: 249 in.

WEIGHT: 50,000 lb.



	ft.	m.	lb.	kg.
	7	2.1	50,000	27,700
	8	2.4	50,000	27,700
	9	2.7	50,000	27,700
	10	3.0	50,000	27,700
	11	3.4	46,800	21,270
	12	3.7	41,600	18,860
	13	4.0	39,400	17,860
	14	4.3	34,300	15,550
	15	4.6	31,500	14,310
	16	4.9	30,300	13,740
	17	5.2	29,100	13,220
	18	5.5	27,400	11,570
	19	5.8	25,450	12,360
	20	6.1	23,750	10,790
	21	6.4	22,200	10,090
	22	6.7	20,900	9,500
	23	7.0	19,700	8,950
	24	7.3	18,600	8,450
	25	7.6	17,600	8,000

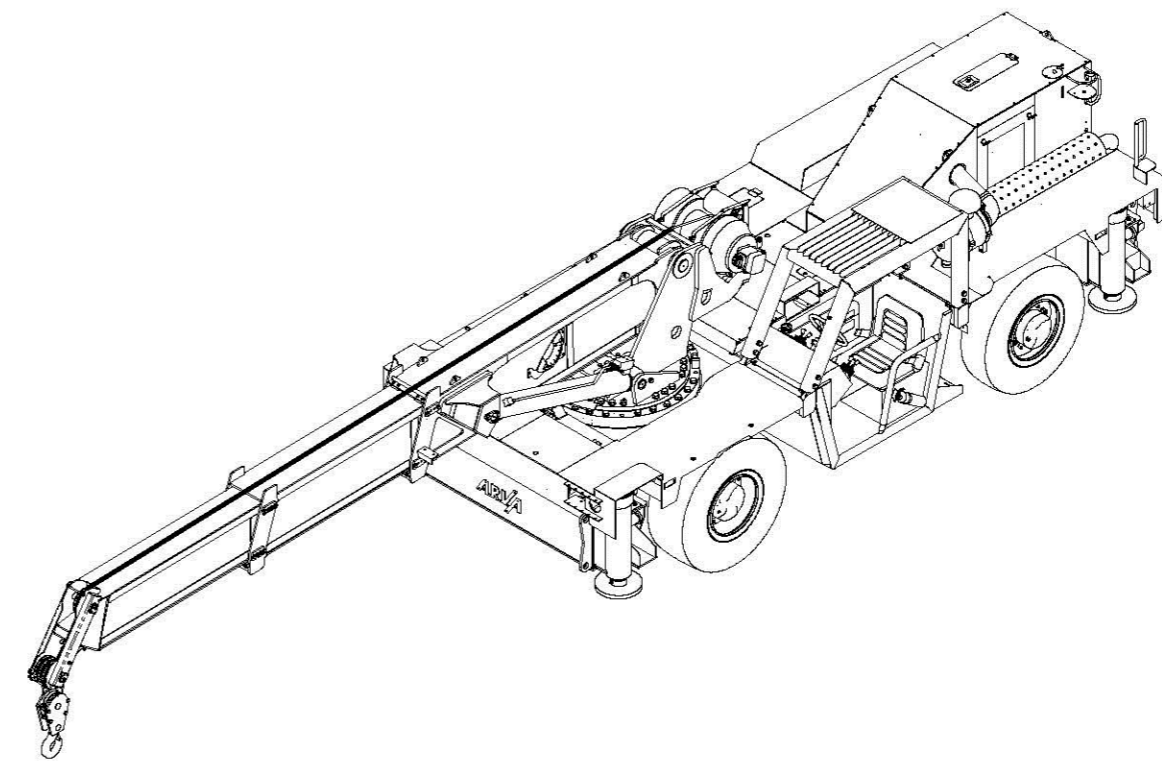
- NOTES:**
1. STABILITY GOVERNS CAPACITY BELOW BOLD LINE
 2. STABILITY PERCENT ON OUTRIGGERS = 85%
 3. NO CAPACITY ON TIRES, NO PICK & CARRY
 4. CAPACITIES SHOWN INCLUDE CABLE, HOOK BLOCK, RIGGING AND LOAD
 5. REVIEW OPERATORS MANUAL BEFORE OPERATING CRANE
 6. CAPACITY AVAILABLE ON OUTRIGGERS ALL AROUND WITH 278° SWING STOPS
 7. SINGLE PART LINE CAPACITY OF 25,000 LBS.
 8. USE APPROPRIATE REEVING FOR LOAD TO BE LIFTED.

IS CONFIDENTIAL AND IS NOT TO BE REPRODUCED WITHOUT OUR PERMISSION AND IS TO BE RETURNED UPON REQUEST

DIMENSIONS ARE IN INCHES

FRACTIONAL	± 1/16
DECIMAL .XX	±.025
DECIMAL .XXX	±.010
ANGLES	±1/2°

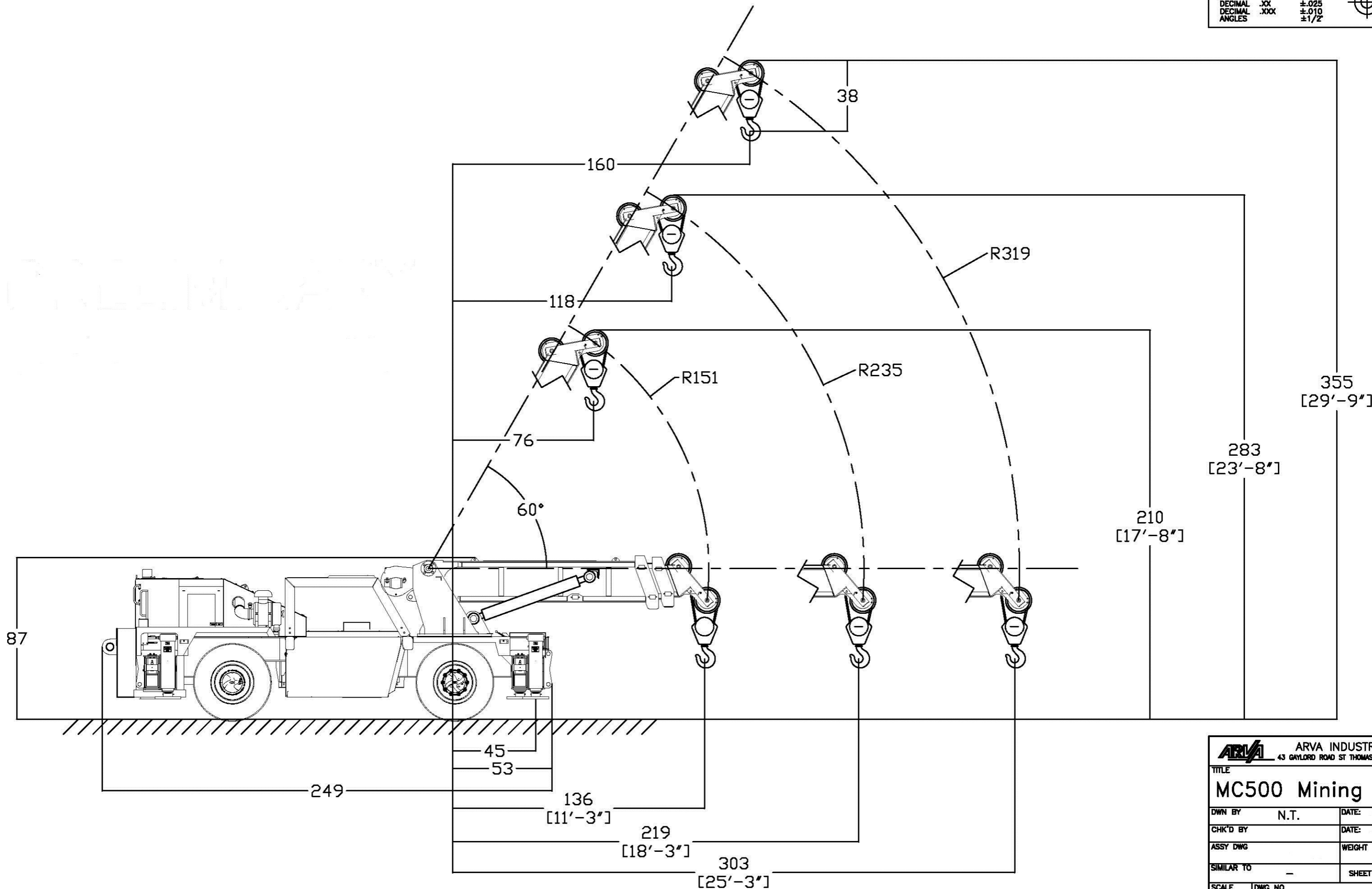
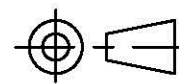
IN THE INTEREST OF PRODUCT IMPROVEMENT ALL DIMENSIONS AND INFORMATION IS SUBJECT TO CHANGE WITHOUT NOTICE.



ARVA ARVA INDUSTRIES INC.	
43 GAYLORD ROAD ST THOMAS ONT. CAN. N5P 3R9	
TITLE MC500 Mining Crane	
DWN BY N.T.	DATE:
CHK'D BY	DATE:
ASSY DWG	WEIGHT —
SIMILAR TO —	SHEET 1 OF 4
SCALE 1:48	DWG NO EP1537
	REV B

DIMENSIONS ARE IN INCHES

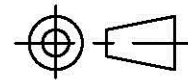
FRACTIONAL	± 1/16
DECIMAL .XX	±.025
DECIMAL .XXX	±.010
ANGLES	±1/2°



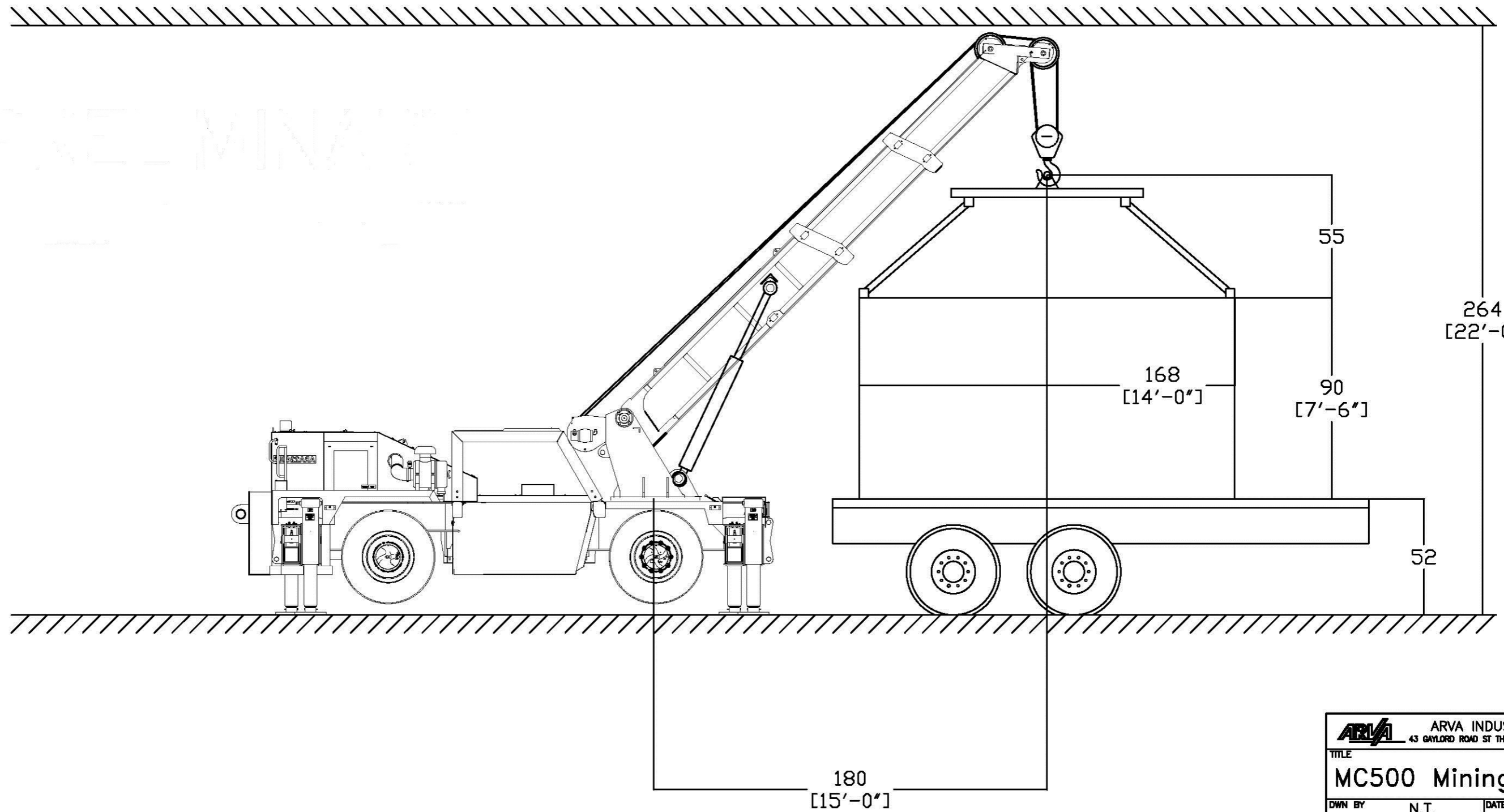
ARVA ARVA INDUSTRIES INC. 43 GAYLORD ROAD ST THOMAS ONT. CAN. N5P 3R9	
TITLE MC500 Mining Crane	
DWN BY N.T.	DATE:
CHK'D BY	DATE:
ASSY DWG	WEIGHT -
SIMILAR TO -	SHEET 2 OF 4
SCALE 1:48	DWG NO EP1537
	REV B

DIMENSIONS ARE IN INCHES

FRACTIONAL	± 1/16
DECIMAL .XX	±.025
DECIMAL .XXX	±.010
ANGLES	±1/2°



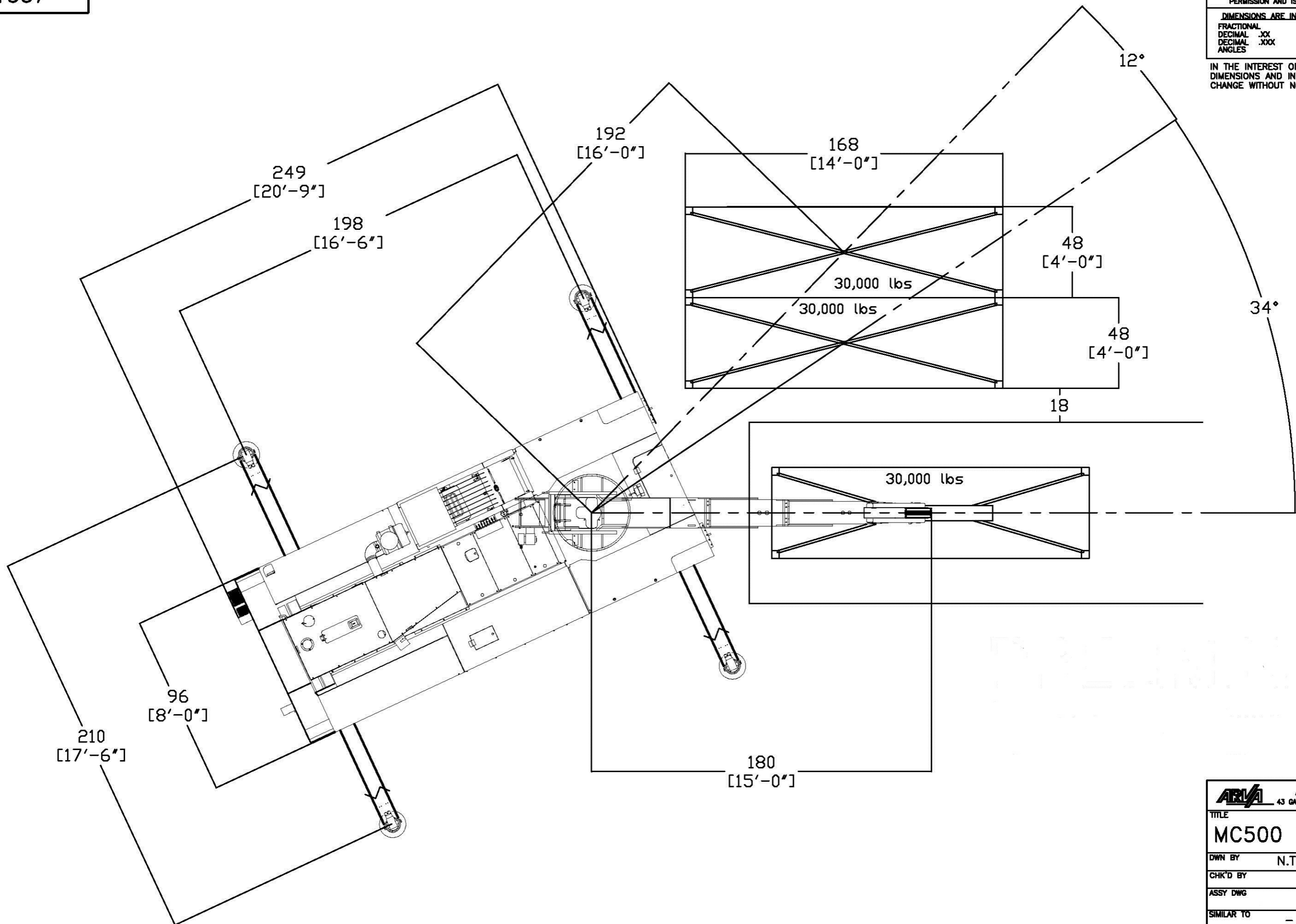
IN THE INTEREST OF PRODUCT IMPROVEMENT ALL DIMENSIONS AND INFORMATION IS SUBJECT TO CHANGE WITHOUT NOTICE.



ARVA ARVA INDUSTRIES INC. 43 GAYLORD ROAD ST THOMAS ONT. CAN. N5P 3R9	
TITLE MC500 Mining Crane	
DWN BY N.T.	DATE:
CHK'D BY	DATE:
ASSY DWG	WEIGHT -
SIMILAR TO -	SHEET 3 OF 4
SCALE 1:48	DWG NO EP1537
	REV B

DIMENSIONS ARE IN INCHES	
FRACTIONAL	± 1/16
DECIMAL .XX	±.025
DECIMAL .XXX	±.010
ANGLES	±1/2°

IN THE INTEREST OF PRODUCT IMPROVEMENT ALL DIMENSIONS AND INFORMATION IS SUBJECT TO CHANGE WITHOUT NOTICE.



ARVA ARVA INDUSTRIES INC.	
43 GAYLORD ROAD ST THOMAS ONT. CAN. N5P 3R9	
TITLE	
MC500 Mining Crane	
DWN BY	N.T.
DATE:	
CHK'D BY	
DATE:	
ASSY DWG	
WEIGHT	-
SIMILAR TO	-
SHEET	4 OF 4
SCALE	DWG NO
1:48	EP1537
REV	B