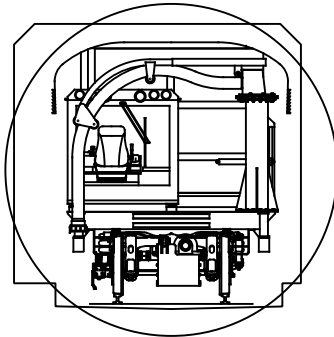
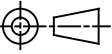


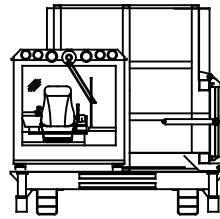
EP1437

THIS PRINT AND DESIGN IS THE PROPERTY OF ARVA INDUSTRIES  
IS CONFIDENTIAL AND IS NOT TO BE REPRODUCED WITHOUT OUR  
PERMISSION AND IS TO BE RETURNED UPON REQUEST

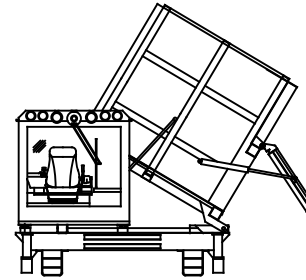
DIMENSIONS ARE IN INCHES  
FRACTIONAL ± 1/16  
DECIMAL .XX ±.025  
DECIMAL .XXX ±.010  
ANGLES ±1/2°



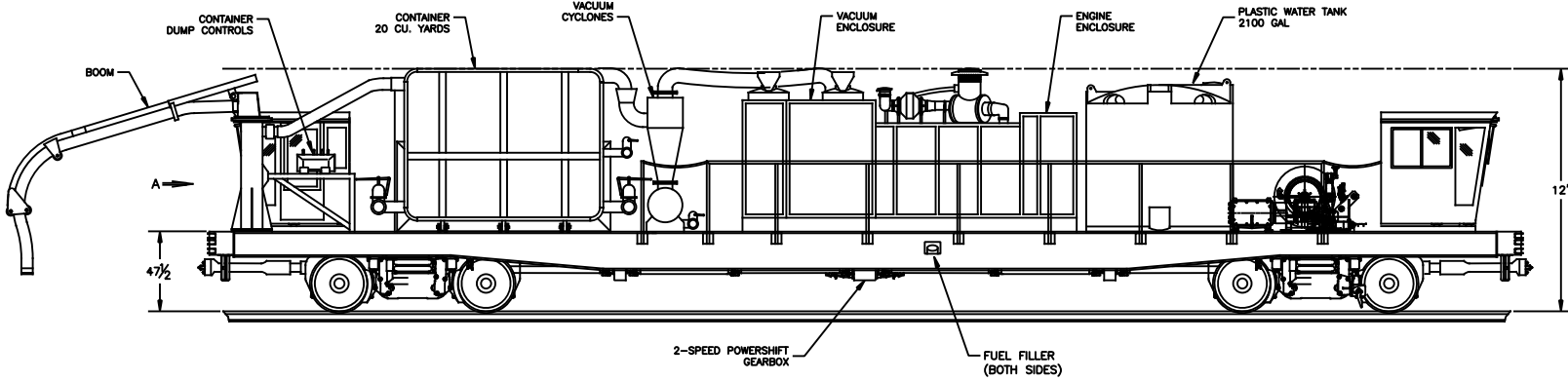
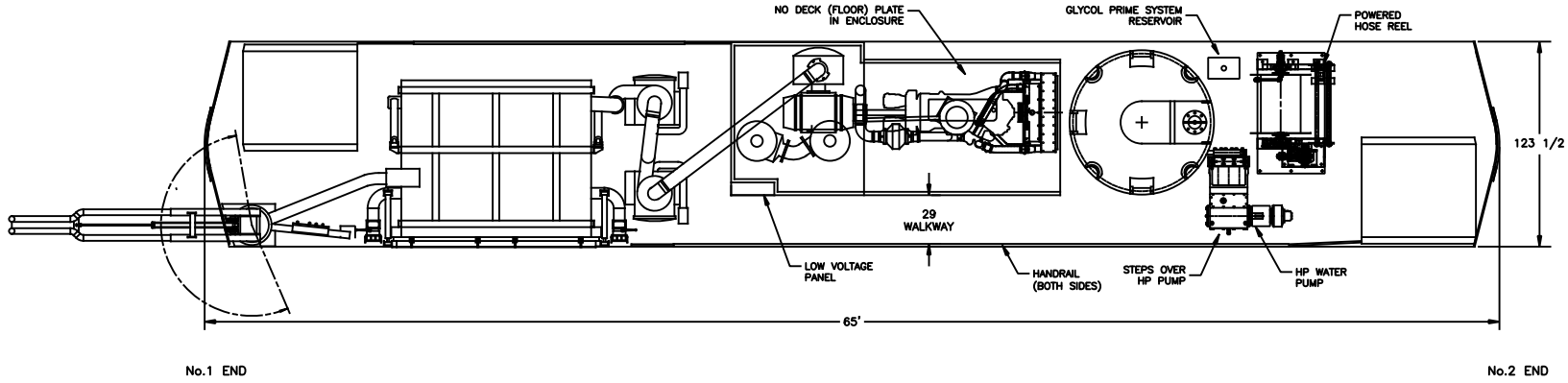
VIEW 'A'  
VACUUM TANK AND BOOM  
SHOWN IN STOWED POSITION  
COUPLER NOT SHOWN



VIEW 'A'  
VACUUM TANK SHOWN IN THE DUMP POSITION  
BOOM & TRUCK NOT SHOWN IN THIS VIEW



VIEW 'A'  
VACUUM TANK SHOWN IN THE DUMP POSITION  
BOOM & TRUCK NOT SHOWN IN THIS VIEW



ARVA INDUSTRIES INC. 43 GAYLORD ROAD ST THOMAS ONT. CAN. N5P 3R9		
TITLE		
RT-56 VACUUM WORKCAR		
DWN BY	J.T.	DATE
CHK'D BY	VE	DA
ASSY DWG	04H04	WEIGHT
SIMILAR TO	SHEET 1 OF 1	
SCALE	DWG NO	REV
1:75	EP1437	