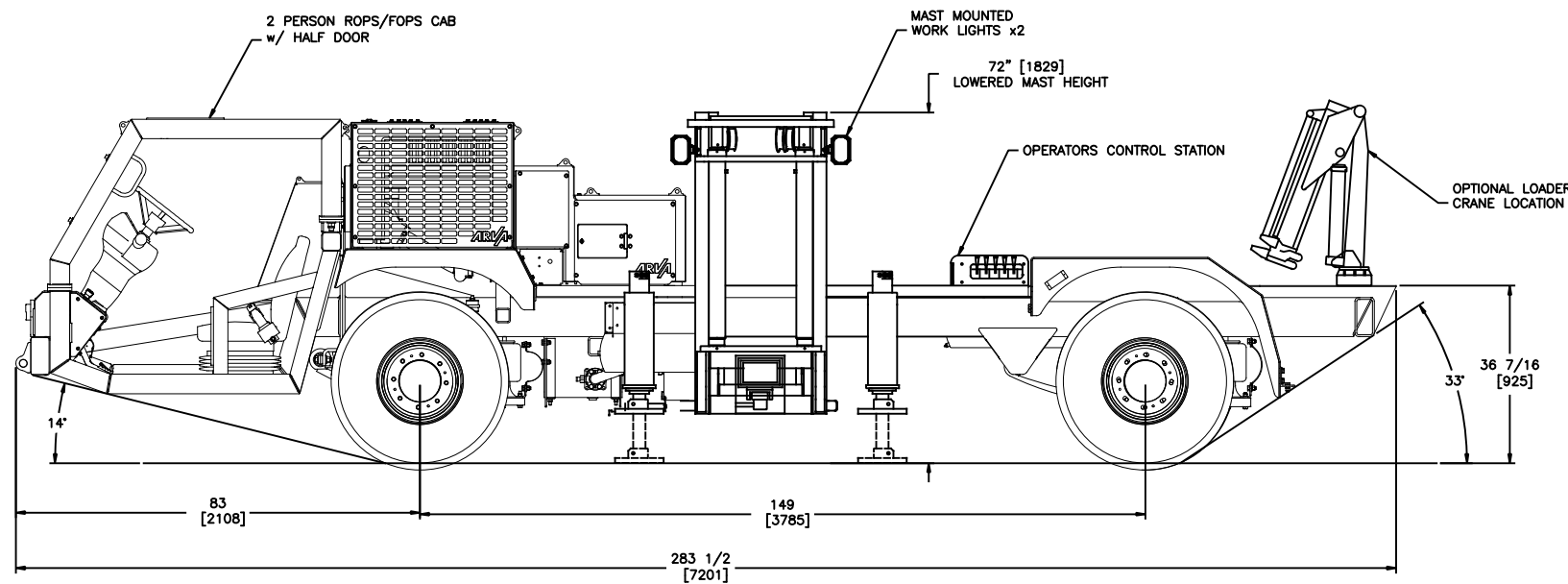
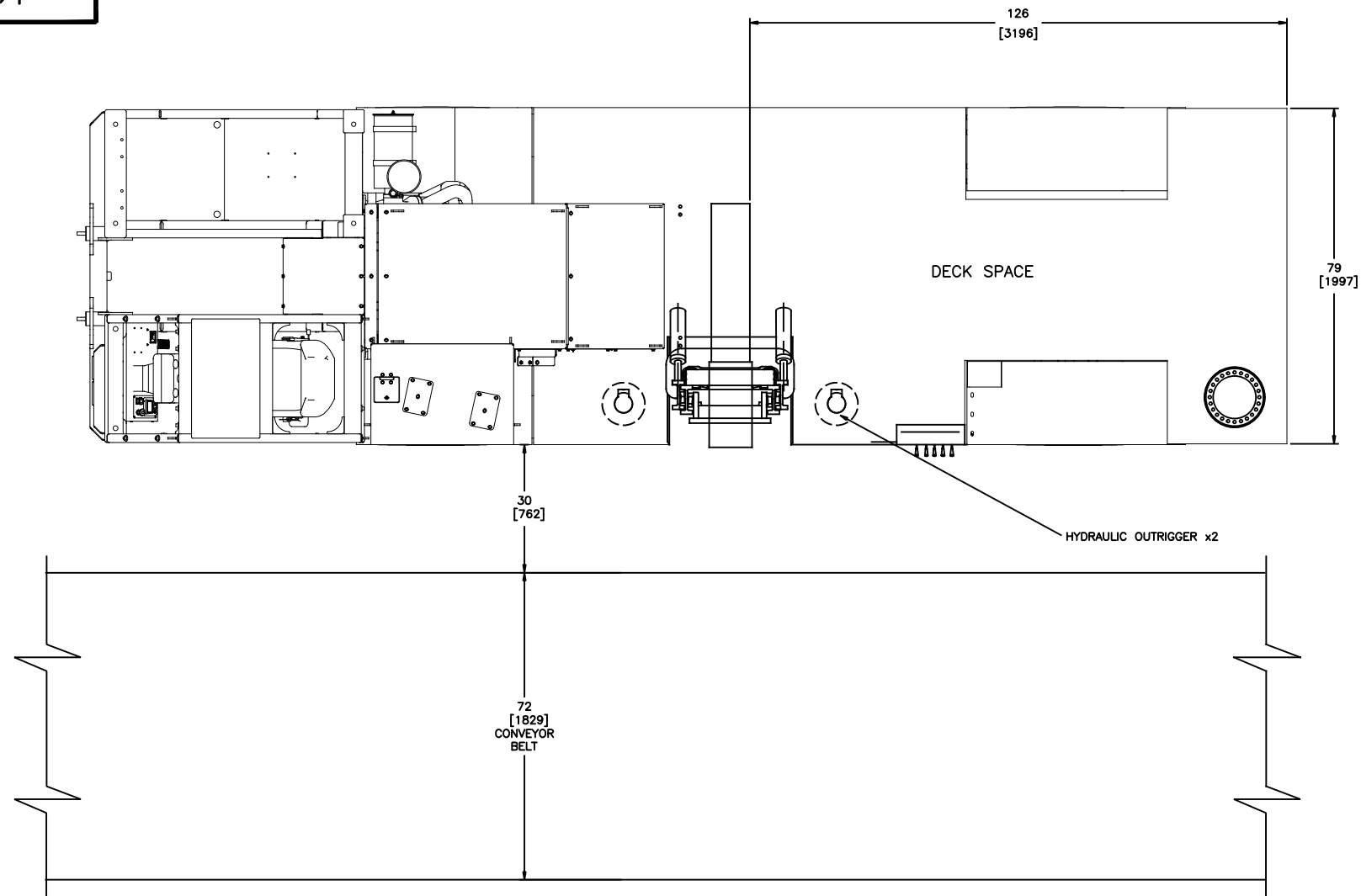
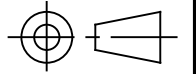


EP1631

THIS PRINT AND DESIGN IS THE PROPERTY OF ARVA INDUSTRIES IS CONFIDENTIAL AND IS NOT TO BE REPRODUCED WITHOUT OUR PERMISSION AND IS TO BE RETURNED UPON REQUEST

DIMENSIONS ARE IN INCHES
 FRACTIONAL ± 1/16
 DECIMAL .XX ± .025
 DECIMAL .XXX ± .010
 ANGLES ± 1/2°



- Engine: Cummins QSB 3.3, 85 Hp. (64 kW)
 Water cooled, electronic control.
- Transmission: DANA T12000
 6 forward speeds, 3 reverse speeds with neutral safety switch.
- Axles: ITL steer drive axles front/rear.
 Internal hydraulically operated wet disk service brakes.
 Spring applied hydraulically released drive line parking brake.
- Suspension: Air bag with ± 3" (76 mm) travel.
- Steering: Selectable 2 wheel, 4 wheel, 4 wheel coordinated
- Drive: 4 wheel drive up to 20 kph
- Tires: Maxxis Tuff-Guard, 10.00-15
- Travel Speed: 40 kph. Max.
- Hydraulics: Variable displacement pump,
 15 GPM (57 LPM) available for optional equipment
 JIC hydraulic hoses and fittings
- Electrical: 12 Volt DC. LED lights, Halogen headlights
- Cab: One or Two person operator compartment.
 Air suspension seat
 Half door
- Safety: ROPS/FOPS Canopy Frame.
- Deck Capacity:** 12,000 lbs. (5440 kg)
- Capacities: 132 L fuel tank, 57 L hyd. tank.
- Probe Specs:
 - 2,500 lbs (1134 kg) Capacity at 60" (1525 mm) Load Centre
 - Carriage has hydraulic lift with Spring Applied Hydraulically released safety dog.
 - Lift probe equipped with 3 section hydraulically powered extension.
 - Two stage mast with 83" (2108 mm) Travel and ±10° tilt
 - Manual swing for storage

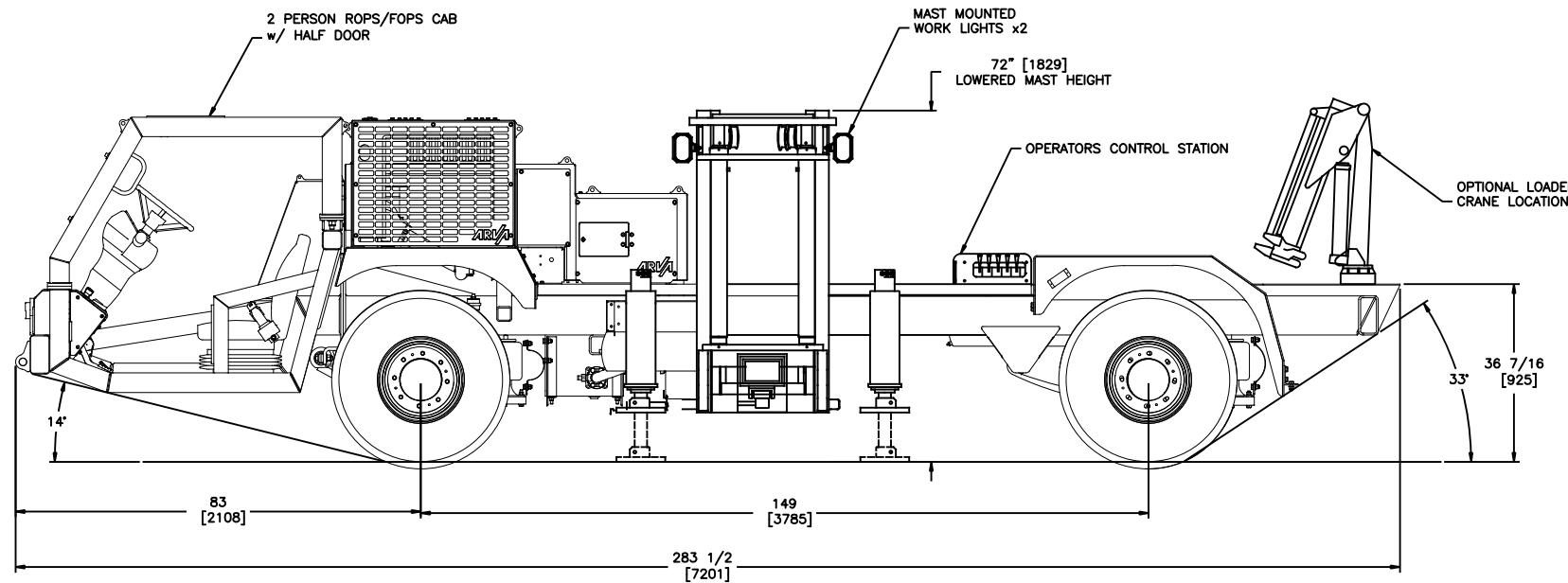
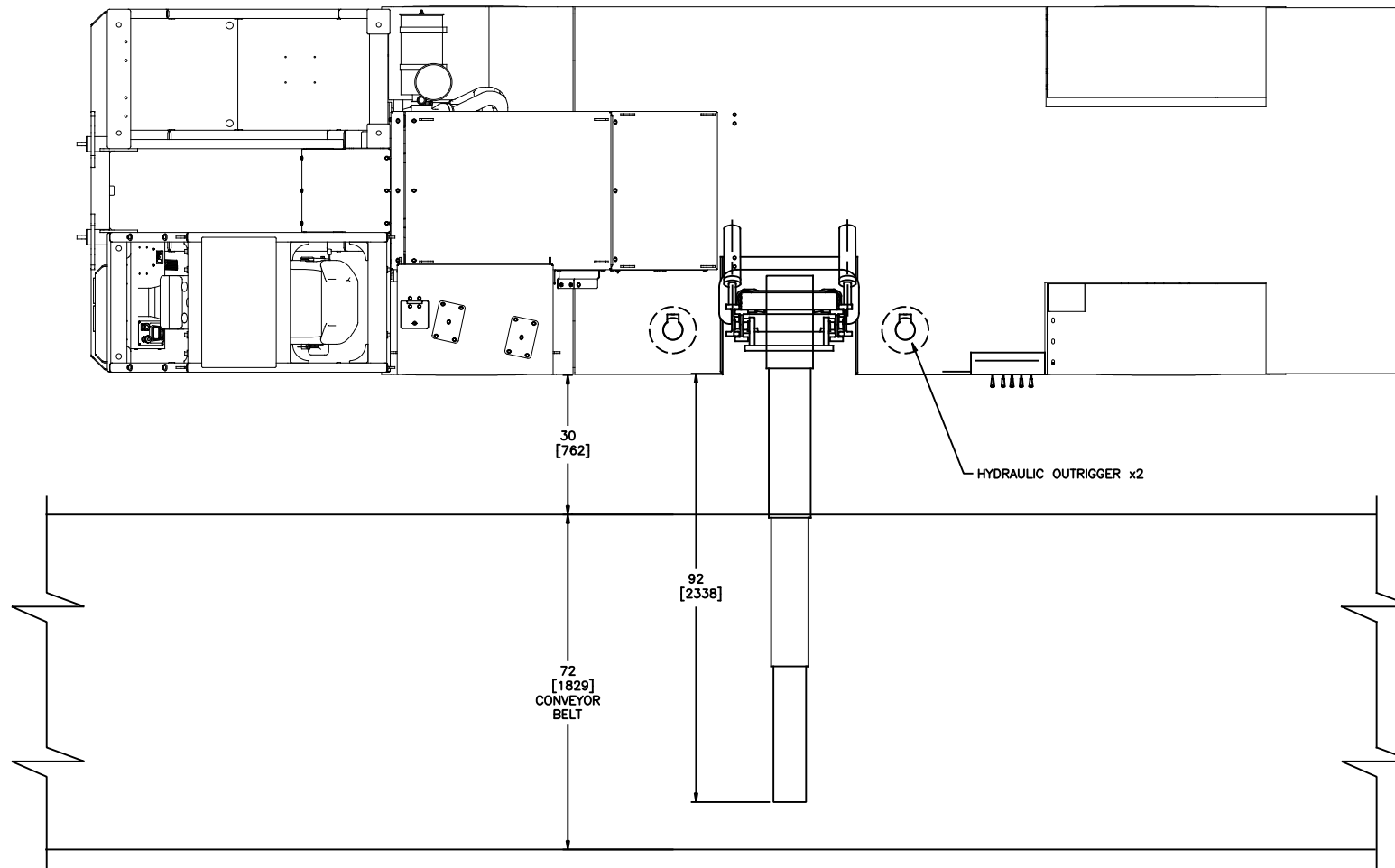
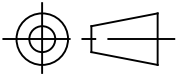
NOTE:
 SUSPENSION SHOW AT RIDE HEIGHT
 ± 3" AIR SUSPENSION
 DIMENSIONS IN [] ARE IN mm.

all dimensions and information is subject to change without notice.

These drawings and designs are the exclusive intellectual property of ARVA Industries Inc. They are NOT to be reproduced or used in any manner or fashion including but not limited to; print, electronic, and/or photographically without the expressed written consent of ARVA Industries Inc.

ARVA INDUSTRIES INC. 43 GAYLORD ROAD ST THOMAS ONT. CAN. N5P 3R9		
TITLE		
SV12140 SERVICE TRUCK for BELT ROLLER MAINTENANCE		
DWN BY	KAS	DATE: '
CHK'D BY	SS	DATE:
ASSY DWG	1305-115	WEIGHT
SIMILAR TO		SHEET 1 OF 4
SCALE	DWG NO	REV
1:37	EP1631	

DIMENSIONS ARE IN INCHES	
FRACTIONAL	± 1/16
DECIMAL .XX	±.025
DECIMAL .XXX	±.010
ANGLES	±1/2°



- Engine: Cummins QSB 3.3, 85 Hp. (64 kW)
Water cooled, electronic control.
- Transmission: DANA T12000
6 forward speeds, 3 reverse speeds with neutral safety switch.
- Axles: ITL steer drive axles front/rear.
Internal hydraulically operated wet disk service brakes.
Spring applied hydraulically released drive line parking brake.
- Suspension: Air bag with ± 3" (76 mm) travel.
- Steering: Selectable 2 wheel, 4 wheel, 4 wheel coordinated
- Drive: 4 wheel drive up to 20 kph
- Tires: Maxxis Tuff-Guard, 10.00-15
- Travel Speed: 40 kph. Max.
- Hydraulics: Variable displacement pump,
15 GPM (57 LPM) available for optional equipment
JIC hydraulic hoses and fittings
- Electrical: 12 Volt DC. LED lights, Halogen headlights
- Cab: One or Two person operator compartment.
Air suspension seat
Half door
- Safety: ROPS/FOPS Canopy Frame.
- Deck Capacity:** 12,000 lbs. (5440 kg)
- Capacities: 132 L fuel tank, 57 L hyd. tank.
- Probe Specs:
 - 2,500 lbs (1134 kg) Capacity at 60" (1525 mm) Load Centre
 - Carriage has hydraulic lift with Spring Applied Hydraulically released safety dog.
 - Lift probe equipped with 3 section hydraulically powered extension.
 - Two stage mast with 83" (2108 mm) Travel and ±10° tilt
 - Manual swing for storage

NOTE:
SUSPENSION SHOW AT RIDE HEIGHT
± 3 " AIR SUSPENSION
DIMENSIONS IN [] ARE IN mm.

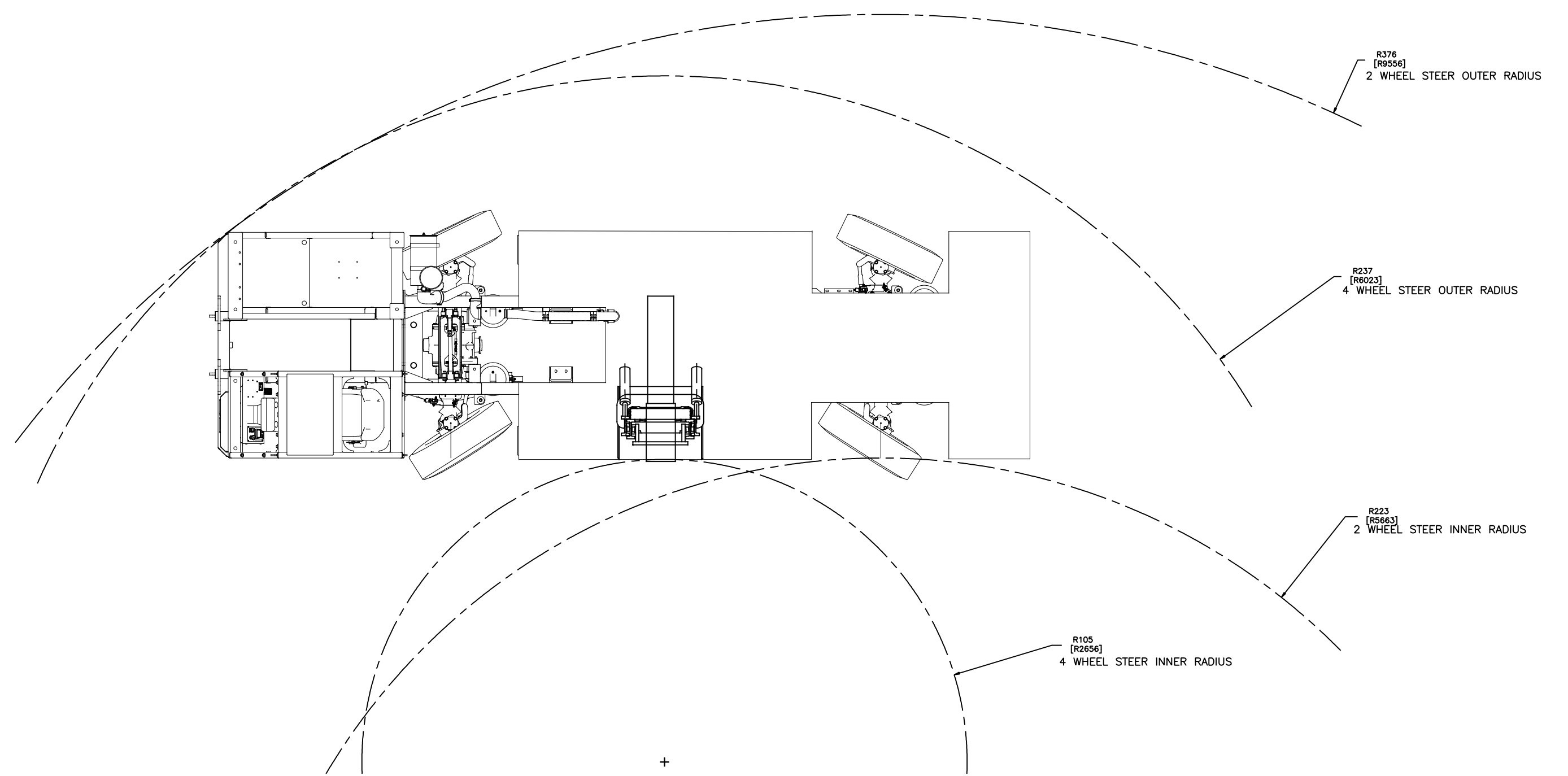
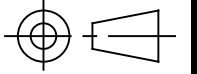
all dimensions and information is subject to change without notice.

These drawings and designs are the exclusive intellectual property of ARVA Industries Inc. They are NOT to be reproduced or used in any manner or fashion including but not limited to; print, electronic, and/or photographically without the expressed written consent of ARVA Industries Inc.

ARVA ARVA INDUSTRIES INC. 43 GAYLORD ROAD ST THOMAS ONT. CAN. N5P 3R9	
TITLE SV12140 SERVICE TRUCK for BELT ROLLER MAINTENANCE	
DWN BY KAS	DATE:
CHK'D BY SS	DATE:
ASSY DWG 1305-115	WEIGHT
SIMILAR TO	SHEET 2 OF 4
SCALE 1:37	DWG NO EP1631
	REV

DIMENSIONS ARE IN INCHES

FRACTIONAL	± 1/16
DECIMAL .XX	±.025
DECIMAL .XXX	±.010
ANGLES	±1/2°



R376
[R9556]
2 WHEEL STEER OUTER RADIUS

R237
[R6023]
4 WHEEL STEER OUTER RADIUS

R223
[R5663]
2 WHEEL STEER INNER RADIUS

R105
[R2656]
4 WHEEL STEER INNER RADIUS

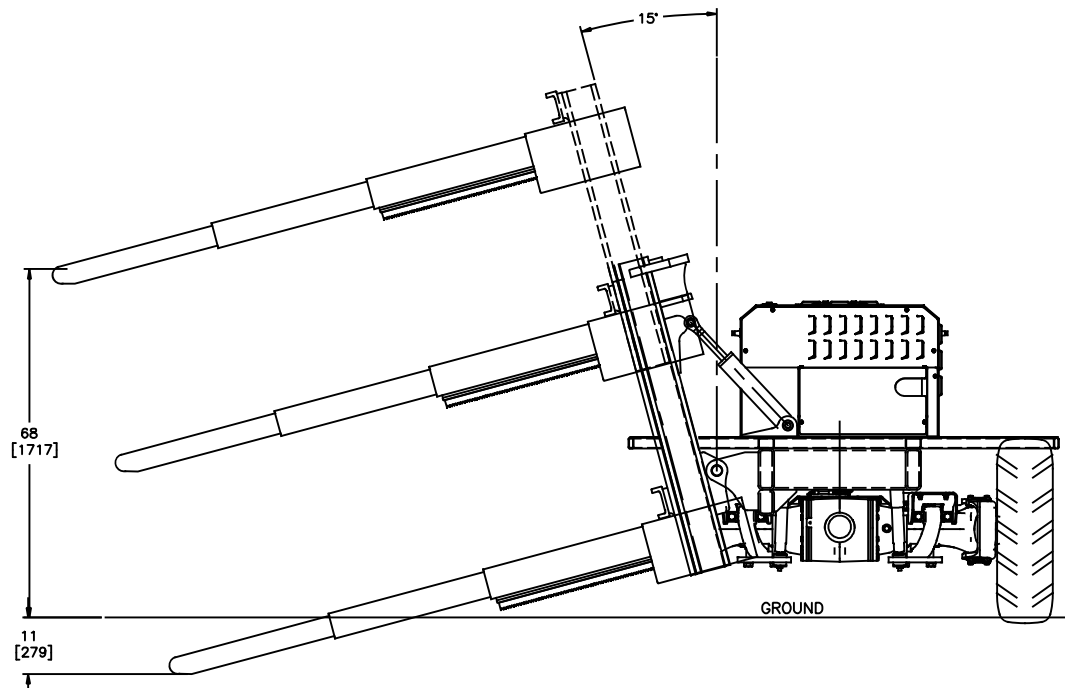
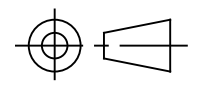
all dimensions and information is subject to change without notice.

These drawings and designs are the exclusive intellectual property of ARVA Industries Inc. They are NOT to be reproduced or used in any manner or fashion including but not limited to; print, electronic, and/or photographically without the expressed written consent of ARVA Industries Inc.

ARVA ARVA INDUSTRIES INC. 43 GAYLORD ROAD ST THOMAS ONT. CAN. N5P 3R9	
TITLE SV12140 SERVICE TRUCK for BELT ROLLER MAINTENANCE	
DWN BY KAS	DATE: ' '
CHK'D BY SS	DATE:
ASSY DWG 1305-115	WEIGHT
SIMILAR TO	SHEET 3 OF 4
SCALE 1:37	DWG NO EP1631
	REV

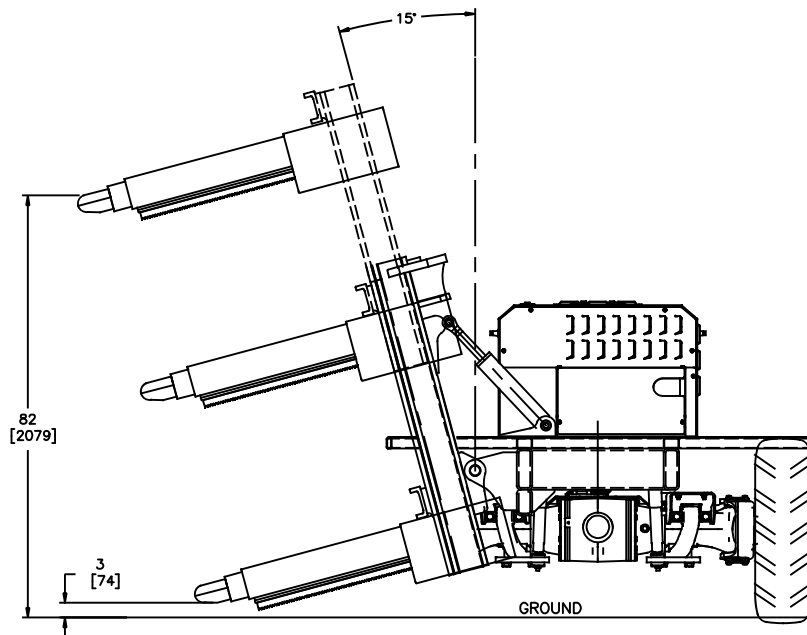
DIMENSIONS ARE IN INCHES

FRACTIONAL	± 1/16
DECIMAL .XX	± .025
DECIMAL .XXX	± .010
ANGLES	± 1/2°



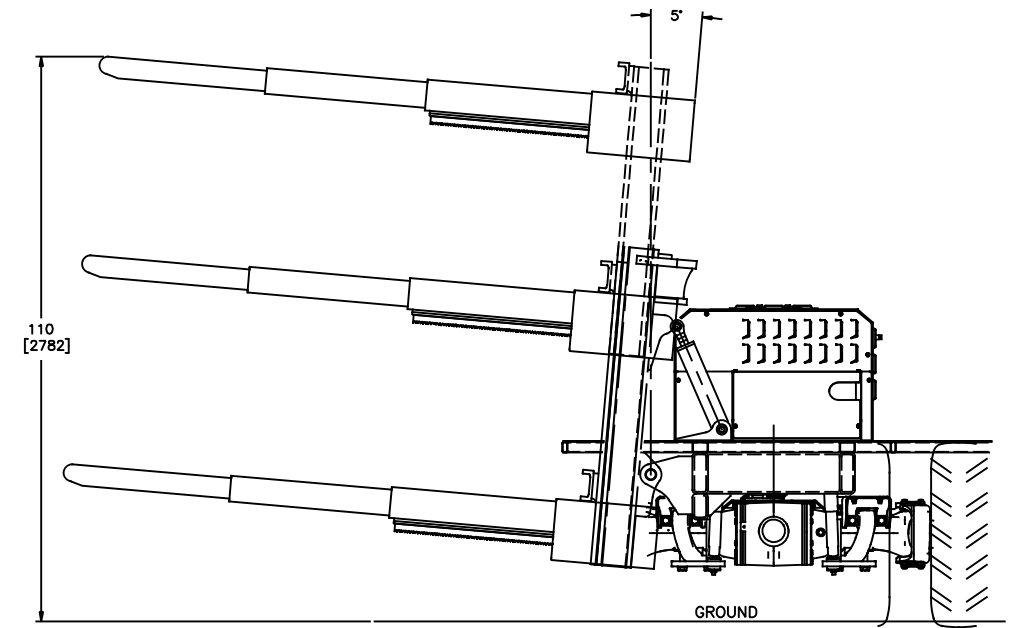
MAST SHOWN IN 15° FORWARD POSITION, PROBE EXTENDED

NOTE:
SUSPENSION SHOW AT RIDE HEIGHT
± 3" AIR SUSPENSION
DIMENSIONS IN [] ARE IN mm.



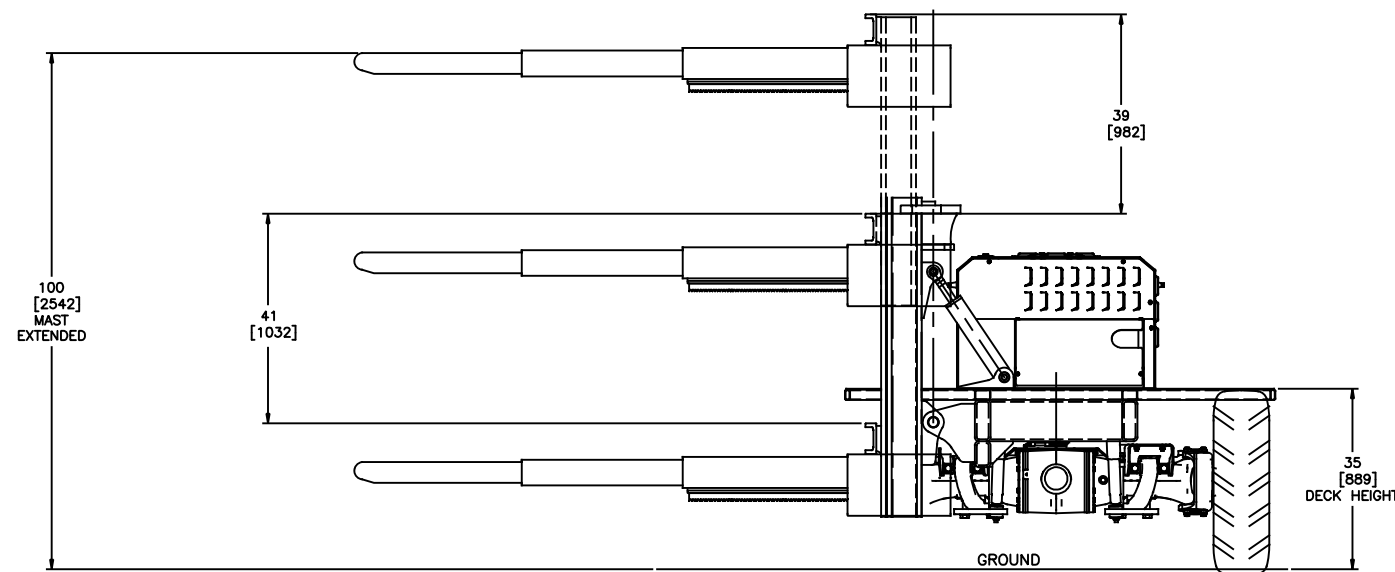
MAST SHOWN IN 15° FORWARD POSITION, PROBE FLY AND OUTER MID SECTION ARE RETRACTED

NOTE:
SUSPENSION SHOW AT RIDE HEIGHT
± 3" AIR SUSPENSION
DIMENSIONS IN [] ARE IN mm.



MAST SHOWN IN 5° REARWARD POSITION, PROBE EXTENDED

NOTE:
SUSPENSION SHOW AT RIDE HEIGHT
± 3" AIR SUSPENSION
DIMENSIONS IN [] ARE IN mm.



MAST SHOWN IN VERTICAL POSITION, PROBE EXTENDED

NOTE:
SUSPENSION SHOW AT RIDE HEIGHT
± 3" AIR SUSPENSION
DIMENSIONS IN [] ARE IN mm.

all dimensions and information is subject to change without notice.

These drawings and designs are the exclusive intellectual property of ARVA Industries Inc. They are NOT to be reproduced or used in any manner or fashion including but not limited to; print, electronic, and/or photographically without the expressed written consent of ARVA Industries Inc.

ARVA ARVA INDUSTRIES INC. 43 GAYLORD ROAD ST THOMAS ONT. CAN. N5P 3R9	
TITLE SV12140 SERVICE TRUCK for BELT ROLLER MAINTENANCE	
DWN BY KAS	DATE: '13Aug08
CHK'D BY SS	DATE:
ASSY DWG 1305-115	WEIGHT
SIMILAR TO	SHEET 4 OF 4
SCALE 1:37	DWG NO EP1631
	REV D