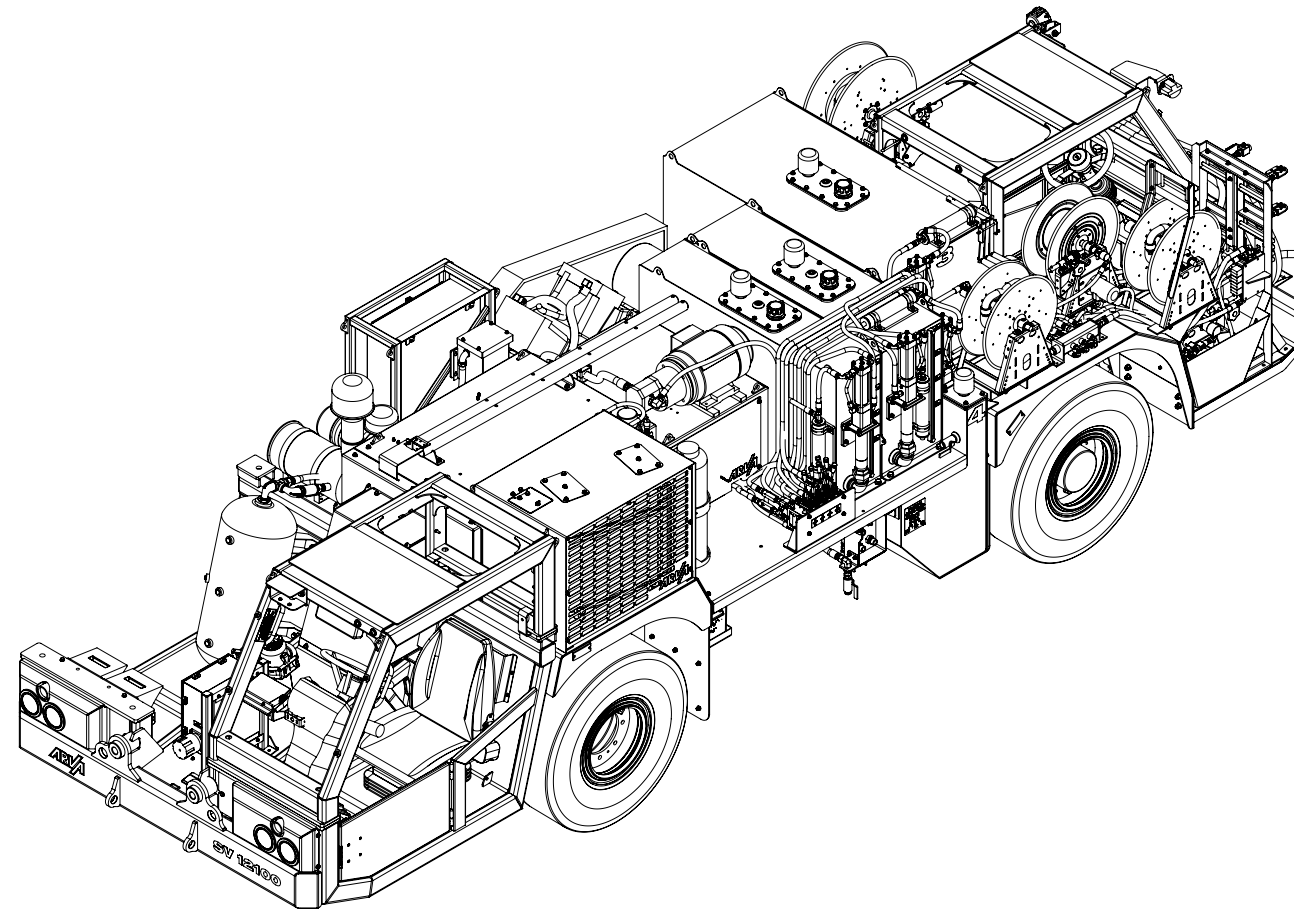


EP1634

- Engine: Cummins QSB 3.3, 99 Hp.  
Water cooled, electronic control.
- Transmission: 6 forward speeds, 3 reverse speeds with neutral safety switch.
- Axles: I/TL steer drive axles front/rear.  
Internal hydraulically operated wet disc service brakes.  
Spring applied hydraulically released drive line parking brake.
- Suspension: Air bag with ± 3" travel.
- Steering: Selectable 2 wheel, 4 wheel crab, 4 wheel coordinated
- Drive: 4 wheel Full Time up to 18 kph
- Tires: Maxxis, 10.00 - 15
- Travel Speed: 40 kph. Max. (can be limited)
- Hydraulics: Variable displacement pump, 25 GPM available for optional equipment  
JIC hydraulic hoses and fittings
- Electrical: 12 Volt DC. LED lights
- Cab 1: Two personal operator compartment.  
Air suspension seat  
Half door
- Cab 2: Steering is "normal feel" when going reverse  
Side entry into cab
- Safety: ROPS Canopy Frames on both cabs
- Tank Capacity:
  - 225 l oil
  - 300 l oil
  - 600 l oil
  - 130 l grease

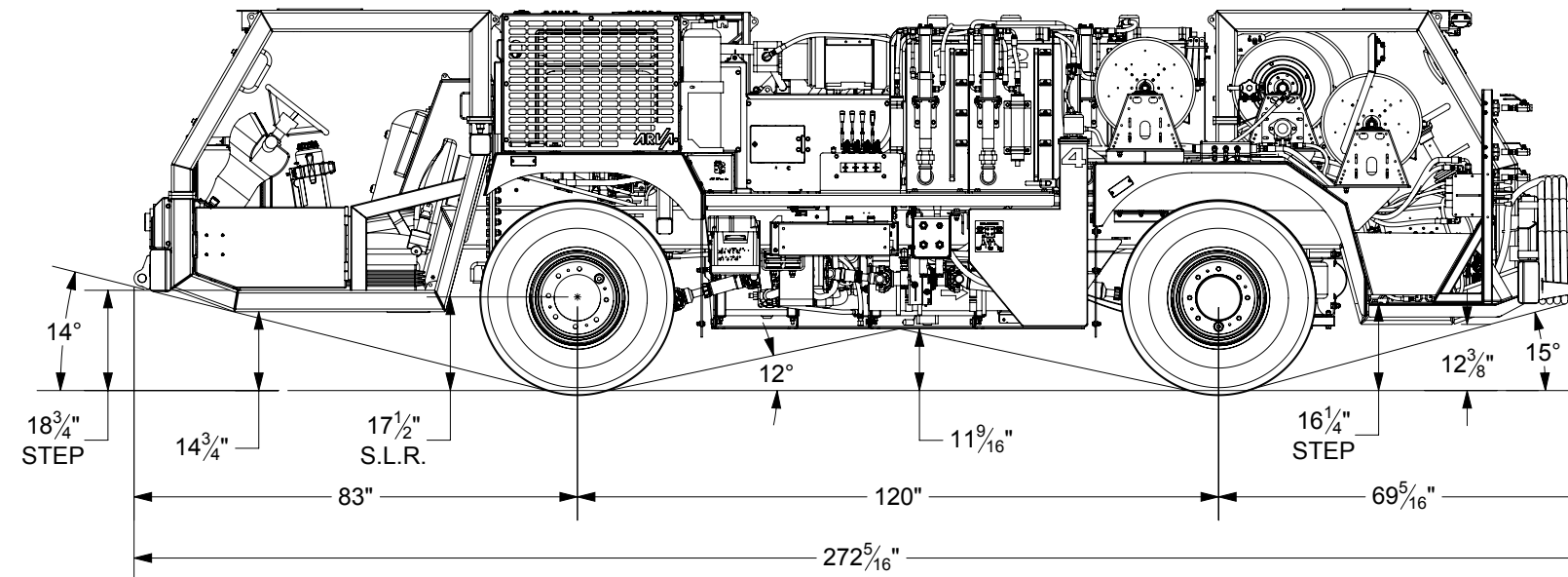
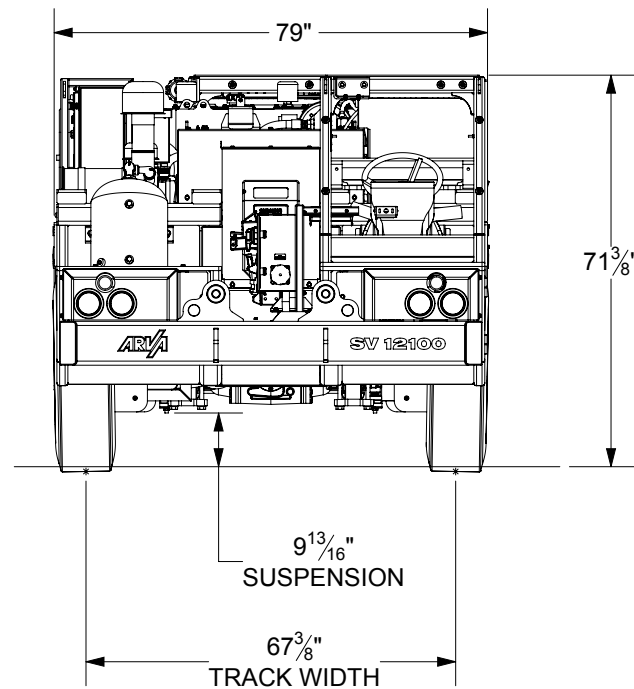


THIS PRINT AND DESIGN IS THE PROPERTY OF ARVA INDUSTRIES IS CONFIDENTIAL AND IS NOT TO BE REPRODUCED WITHOUT OUR PERMISSION AND IS TO BE RETURNED UPON REQUEST

**DIMENSIONS ARE IN INCHES**

FRACTIONAL	± 1/16
DECIMAL .XX	±.025
DECIMAL .XXX	±.010
ANGLES	±1/2°

REMOVE ALL BURRS AND SHARP EDGES



<b>ARVA</b>		ARVA INDUSTRIES INC. 43 GAYLORD ROAD ST THOMAS ONT. CAN. N5P 3R9
TITLE <b>ASSEMBLY, GENERAL, SV12100, W/ OPTIONS</b>		
DRAWING BY	MODEL BY	DRAWN DATE (yyMMMdd):
CHK'D BY	LAST SAVED DATE:	
ASSY DWG	WEIGHT (lbs) <b>17243.51</b>	
SIMILAR TO		SHEET 1 OF 1
SCALE <b>1:35</b>	DWG NO <b>EP1634</b>	REV <b>B</b>