

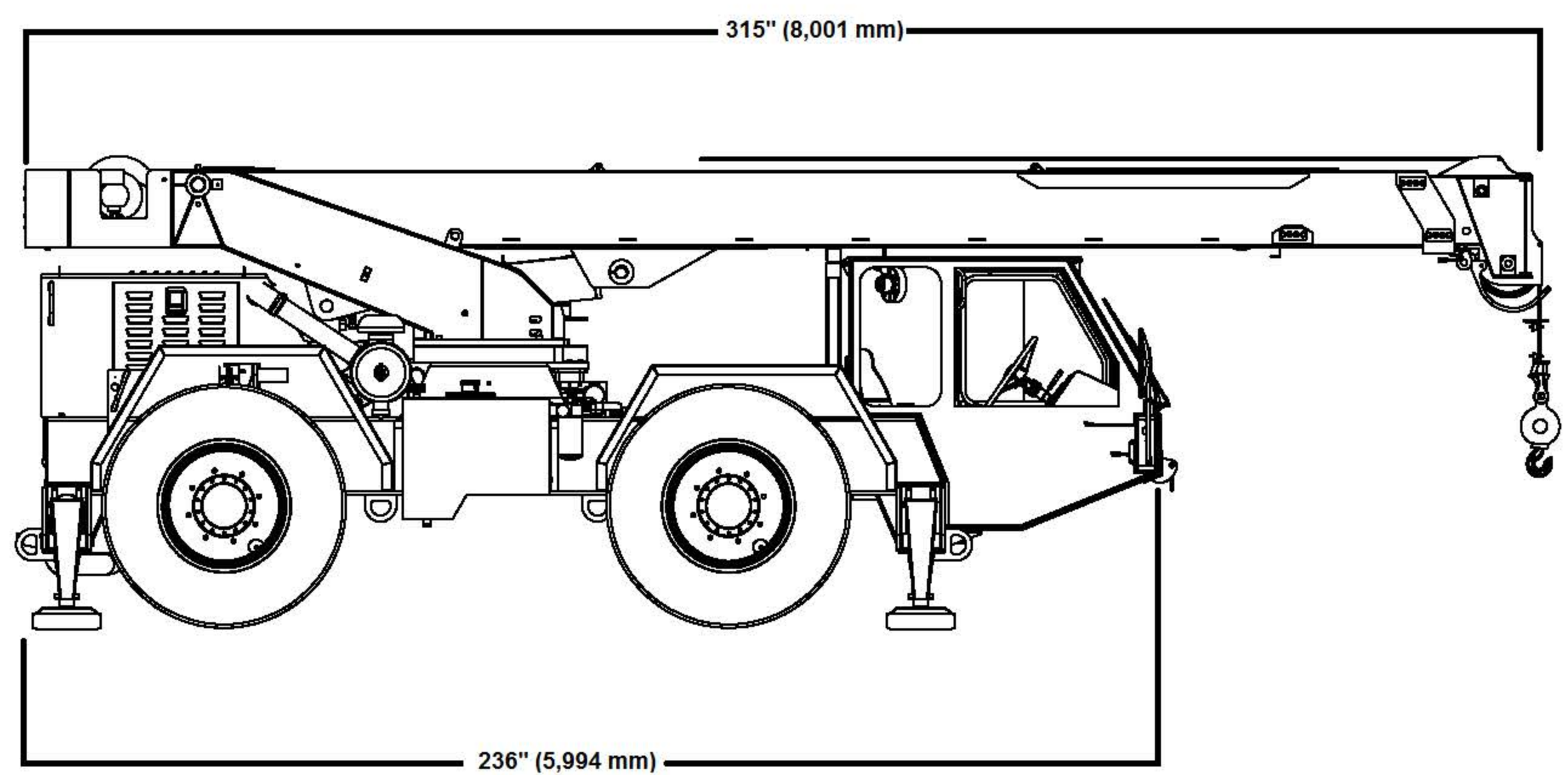
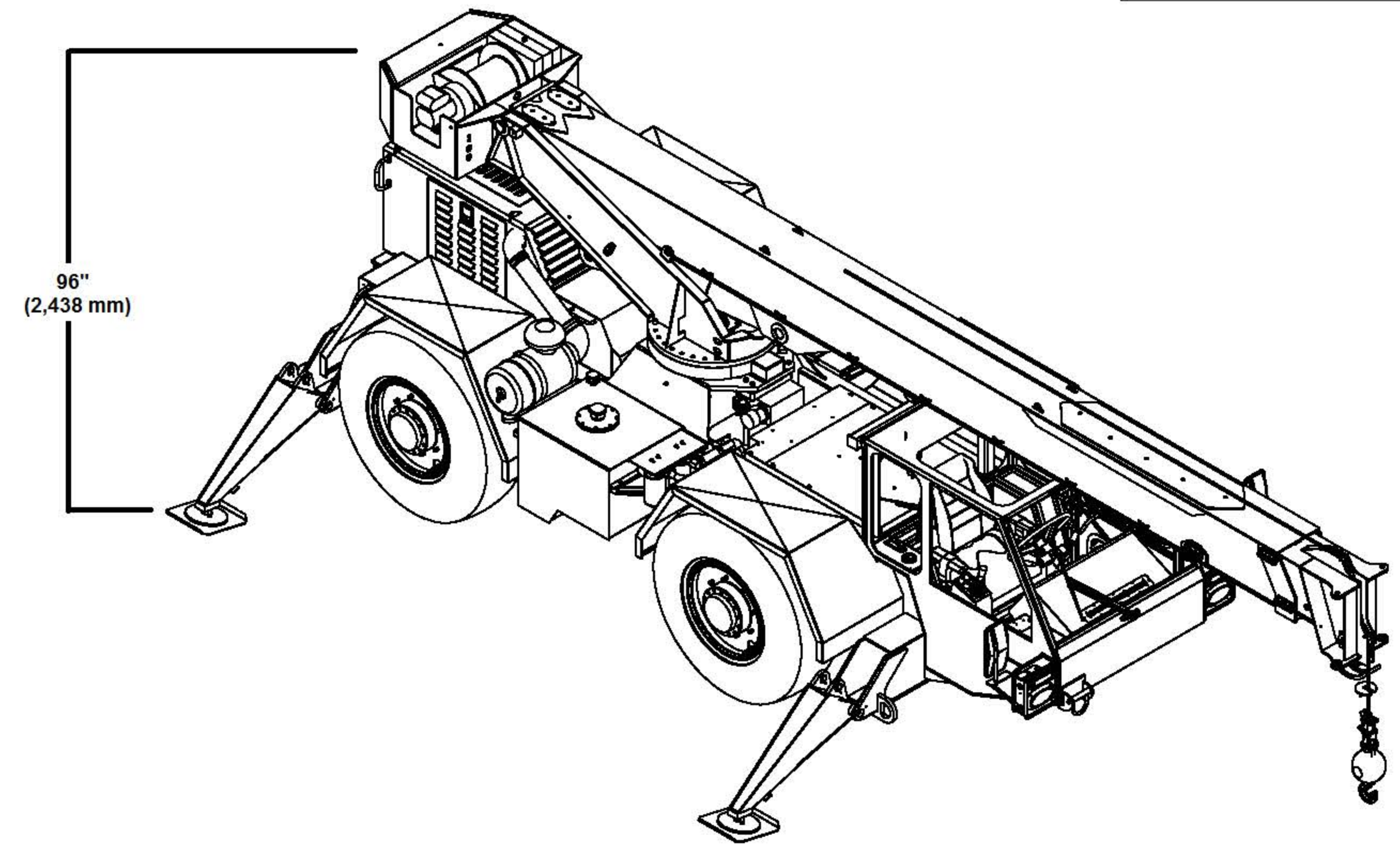
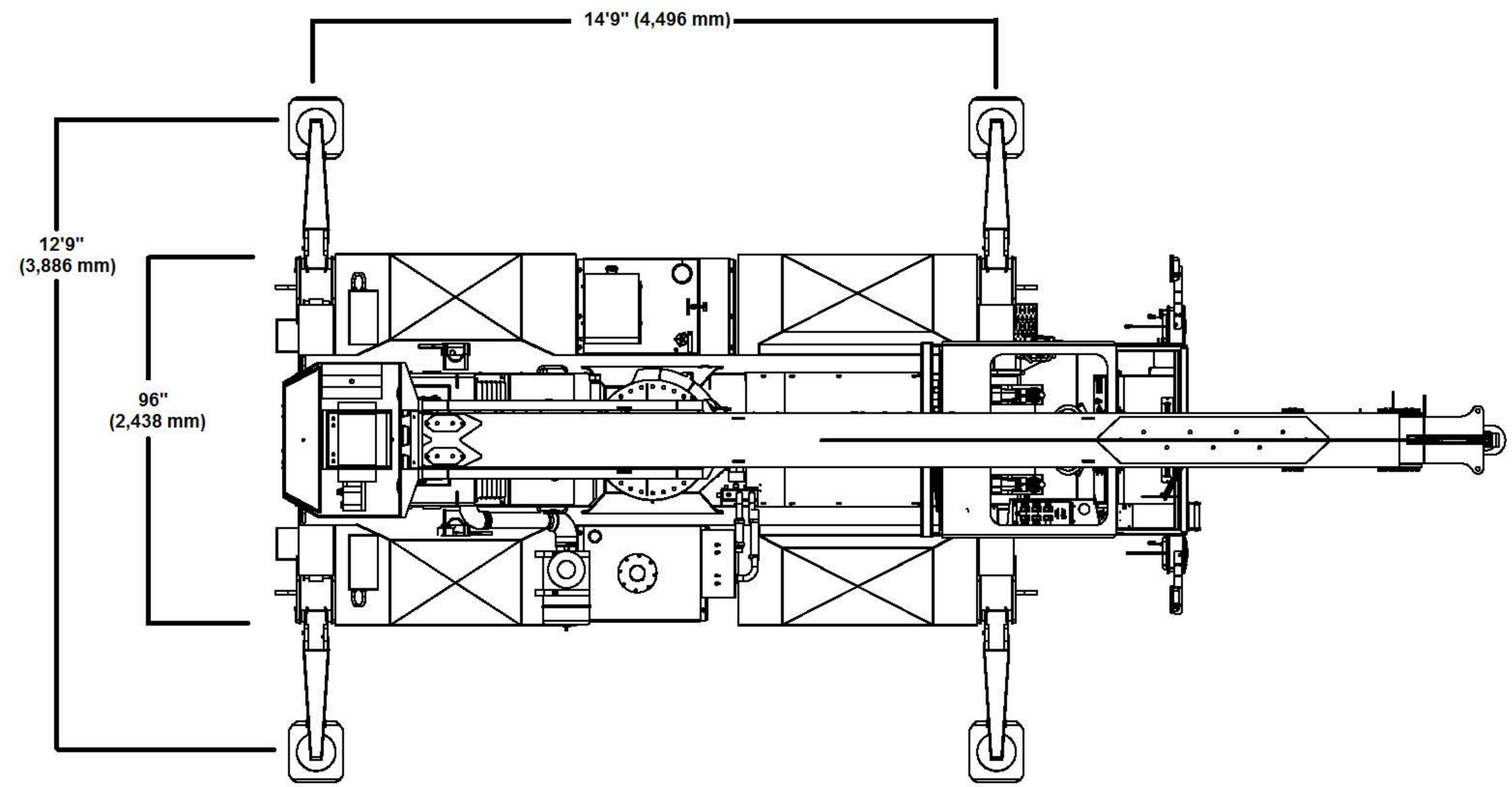
A170450

THIS PRINT AND DESIGN IS THE PROPERTY OF ARVA INDUSTRIES IS CONFIDENTIAL AND IS NOT TO BE REPRODUCED WITHOUT OUR PERMISSION AND IS TO BE RETURNED UPON REQUEST

DIMENSIONS ARE IN INCHES

FRACTIONAL ± 1/16
 DECIMAL .XX ±.025
 DECIMAL .XXX ±.010
 ANGLES ±1/2°

REMOVE ALL BURRS AND SHARP EDGES



ARVA		ARVA INDUSTRIES INC. 43 GAYLORD ROAD ST THOMAS ONT. CAN. N5P 3R9
AT3035M MILITARY CRANE - TIER 3		
DRAWING BY	MODEL BY MED	DRAWN DATE:
CHK'D BY		LAST SAVED DATE:
ASSY DWG		WEIGHT (lbs) 20361
SIMILAR TO		SHEET 1 OF 1
SCALE 1:50	DWG NO A170450	REV -