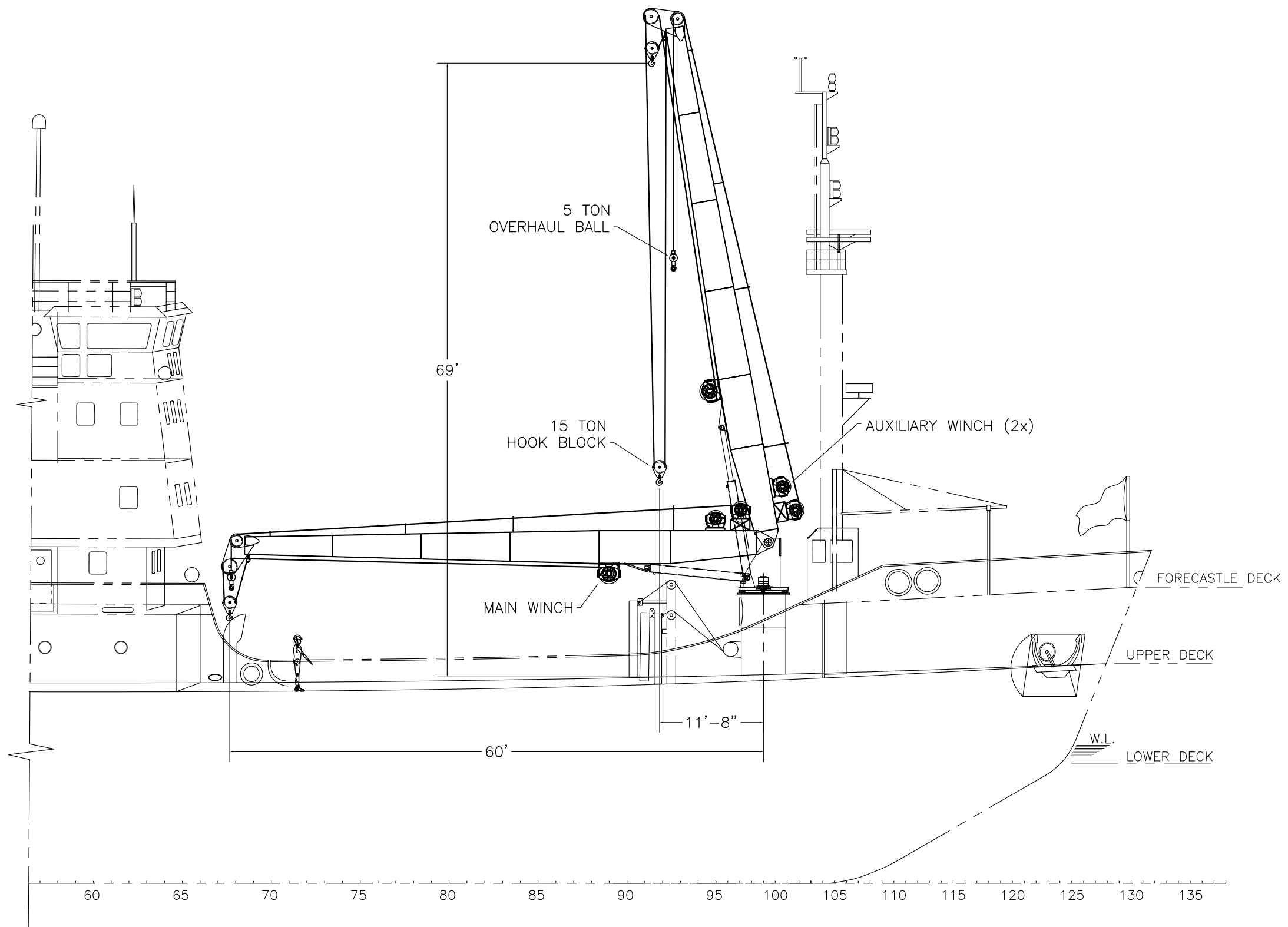
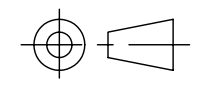


EP1506

THIS PRINT AND DESIGN IS THE PROPERTY OF ARVA INDUSTRIES IS CONFIDENTIAL AND IS NOT TO BE REPRODUCED WITHOUT OUR PERMISSION AND IS TO BE RETURNED UPON REQUEST

DIMENSIONS ARE IN INCHES	
FRACTIONAL	± 1/16
DECIMAL .XX	±.025
DECIMAL .XXX	±.010
ANGLES	±1/2°

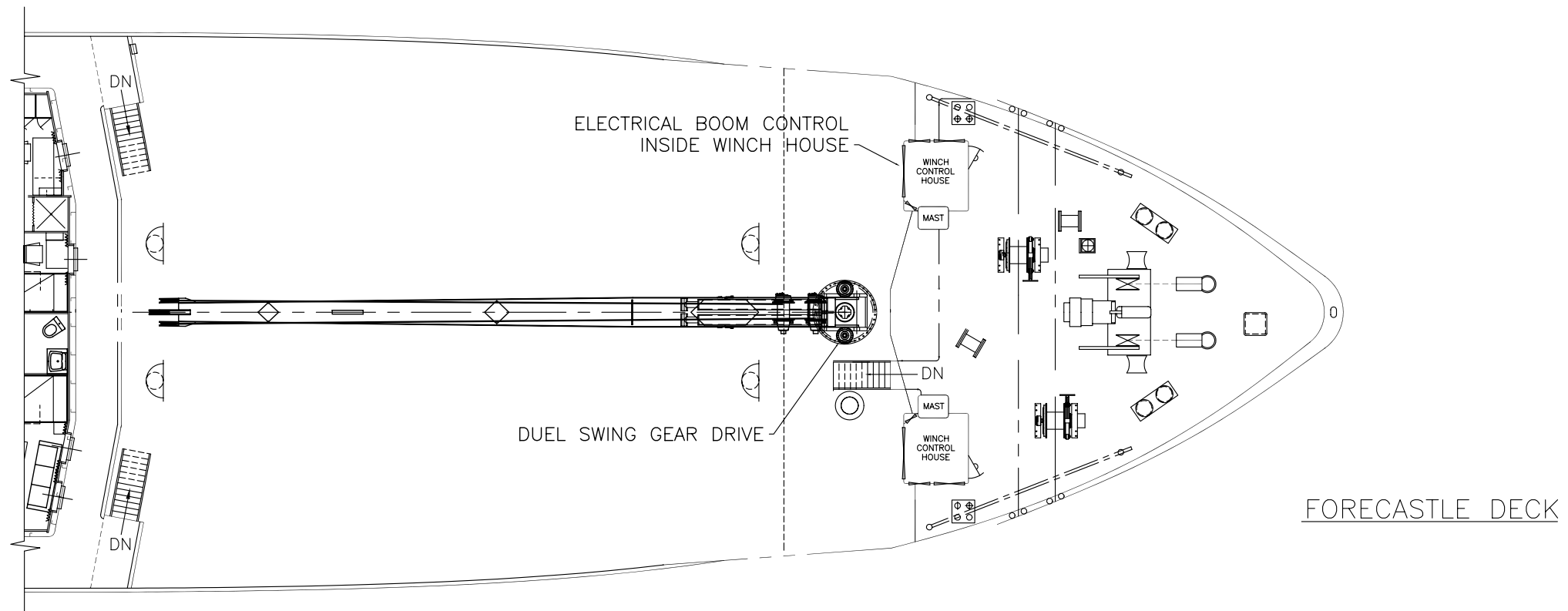
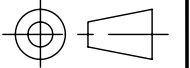



ARVA ARVA INDUSTRIES INC. 43 GAYLORD ROAD ST THOMAS ONT. CAN. N5P 3R9	
TITLE AR16520M	
DWN BY J.T.	DATE: 09Apr20
CHK'D BY V.E.	DATE:
ASSY DWG 904-101	WEIGHT
SIMILAR TO	SHEET 1 OF 2
SCALE 1:150	DWG NO EP1506
	REV -

EP1506

THIS PRINT AND DESIGN IS THE PROPERTY OF ARVA INDUSTRIES
IS CONFIDENTIAL AND IS NOT TO BE REPRODUCED WITHOUT OUR
PERMISSION AND IS TO BE RETURNED UPON REQUEST

DIMENSIONS ARE IN INCHES
FRACTIONAL ± 1/16
DECIMAL .XX ± .025
DECIMAL .XXX ± .010
ANGLES ± 1/2°



 ARVA INDUSTRIES INC. 43 GAYLORD ROAD ST THOMAS ONT. CAN. N5P 3R9	
TITLE	
AR16520M	
DWN BY	J.T.
DATE:	09Apr20
CHK'D BY	V.E.
DATE:	
ASSY DWG	904-101
WEIGHT	
SIMILAR TO	
SHEET	2 OF 2
SCALE	DWG NO
1:150	EP1506
REV	-